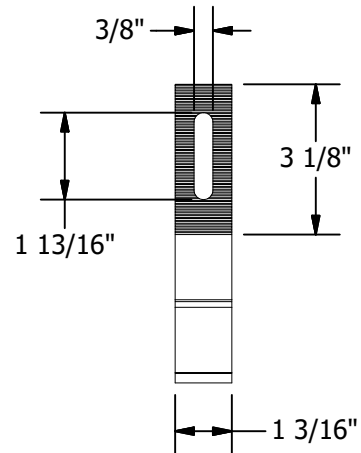
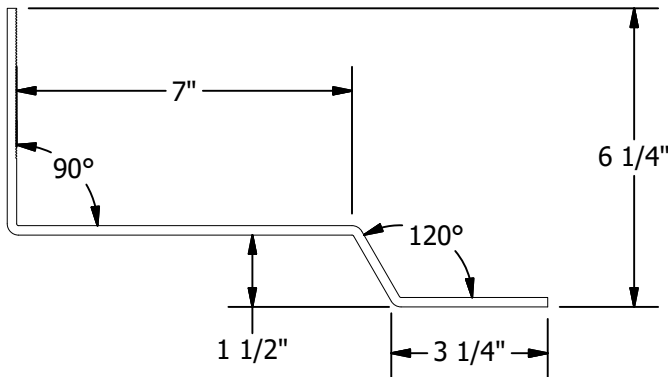
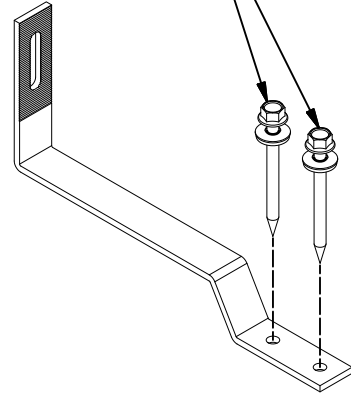
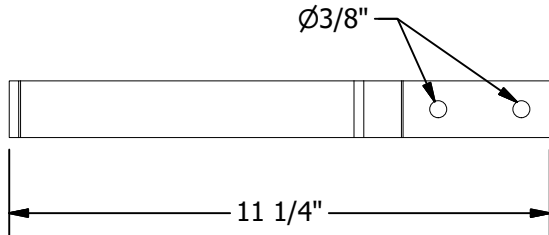


NOTES:

1. INSTALLATION TO BE COMPLETED IN ACCORDANCE WITH SOLARHOOKS INSTALLATION GUIDE.
2. PACKAGING: KITS OF 30

2X - #14 X 3", 3/8" HEX HEAD LAG BOLTS  
W/ EPDM BONDED WASHERS



PART # TABLE

| P/N     | DESCRIPTION                |
|---------|----------------------------|
| 004AT1S | SOLARHOOK FLAT SIDE MT AT1 |



1411 BROADWAY BLVD. NE  
ALBUQUERQUE, NM 87102 USA  
PHONE: 505.242.6411  
WWW.UNIRAC.COM

PRODUCT LINE: SOLARHOOKS

DRAWING TYPE: PART DETAIL

DESCRIPTION: FLAT SIDE MT

REVISION DATE: 5/18/2018

DRAWING NOT TO SCALE  
ALL DIMENSIONS ARE  
NOMINAL

PRODUCT PROTECTED BY  
ONE OR MORE US PATENTS  
LEGAL NOTICE

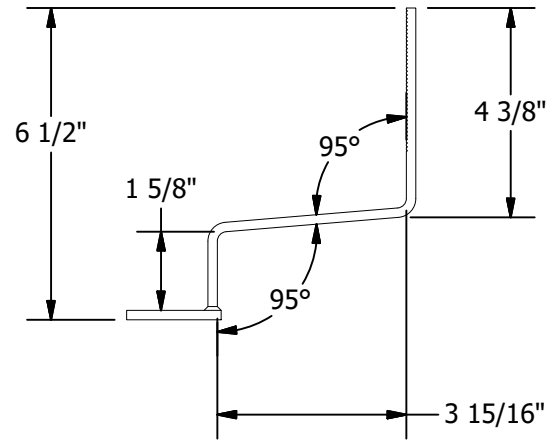
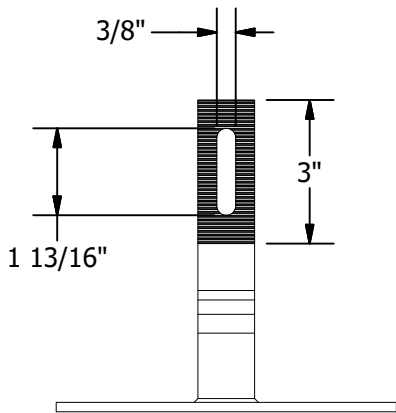
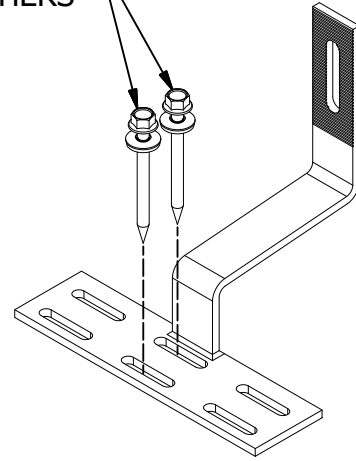
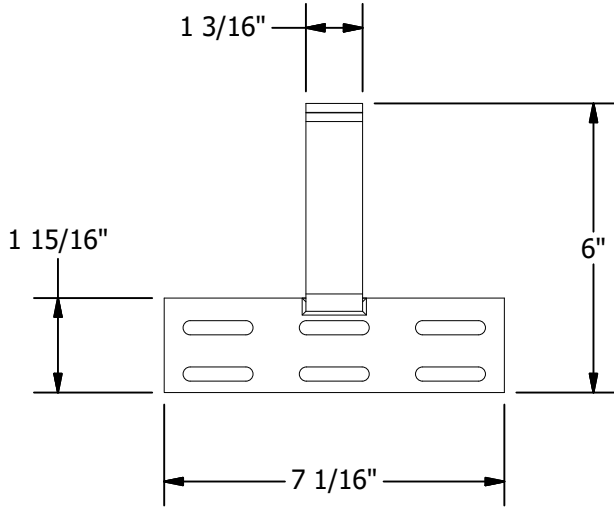
SH-P01

SHEET

NOTES:

1. INSTALLATION TO BE COMPLETED IN ACCORDANCE WITH SOLARHOOKS INSTALLATION GUIDE.
2. PACKAGING: KITS OF 20

2X - #14 X 3", 3/8" HEX HEAD LAG BOLTS  
W/ EPDM BONDED WASHERS



PART # TABLE

| P/N     | DESCRIPTION                   |
|---------|-------------------------------|
| 004CT1S | SOLARHOOK SPANISH SIDE MT CT1 |



1411 BROADWAY BLVD. NE  
ALBUQUERQUE, NM 87102 USA  
PHONE: 505.242.6411  
WWW.UNIRAC.COM

|                |                 |
|----------------|-----------------|
| PRODUCT LINE:  | SOLARHOOKS      |
| DRAWING TYPE:  | PART DETAIL     |
| DESCRIPTION:   | SPANISH SIDE MT |
| REVISION DATE: | 5/18/2018       |

DRAWING NOT TO SCALE  
ALL DIMENSIONS ARE  
NOMINAL

PRODUCT PROTECTED BY  
ONE OR MORE US PATENTS  
LEGAL NOTICE

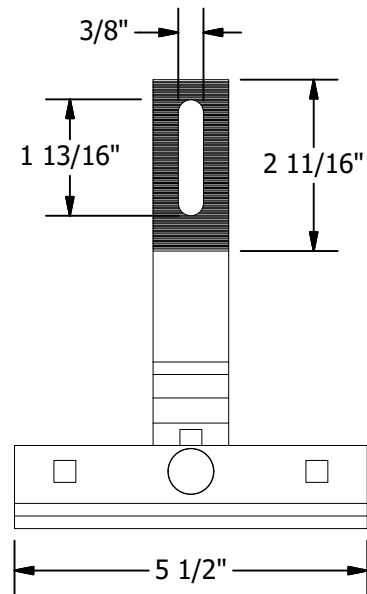
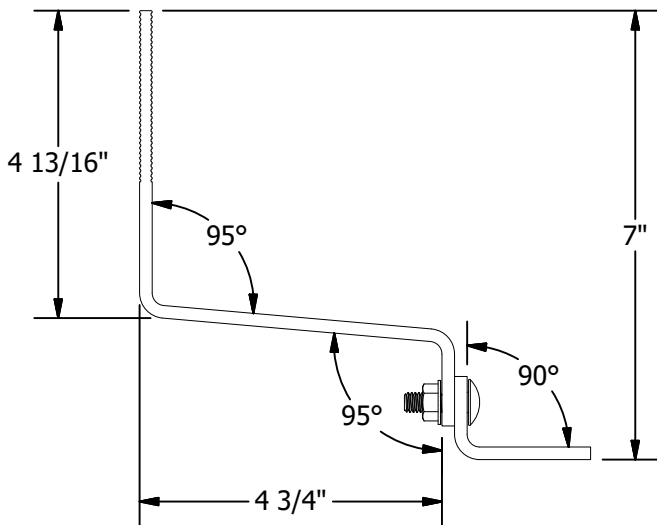
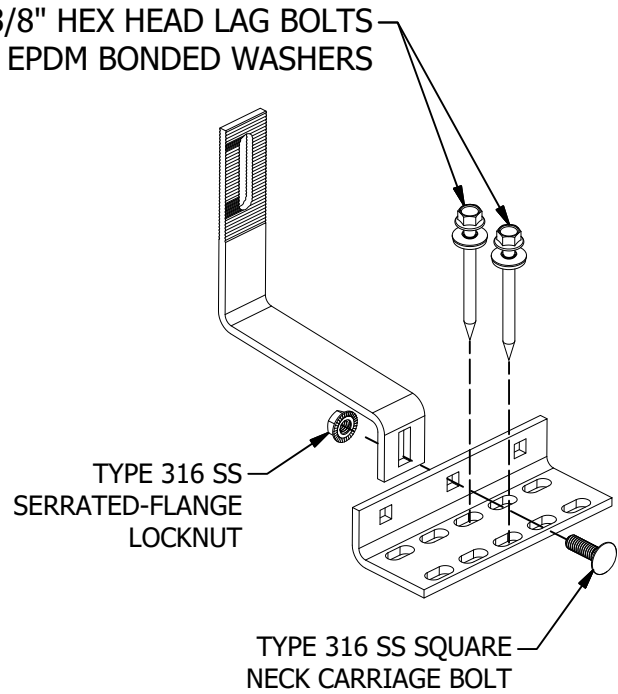
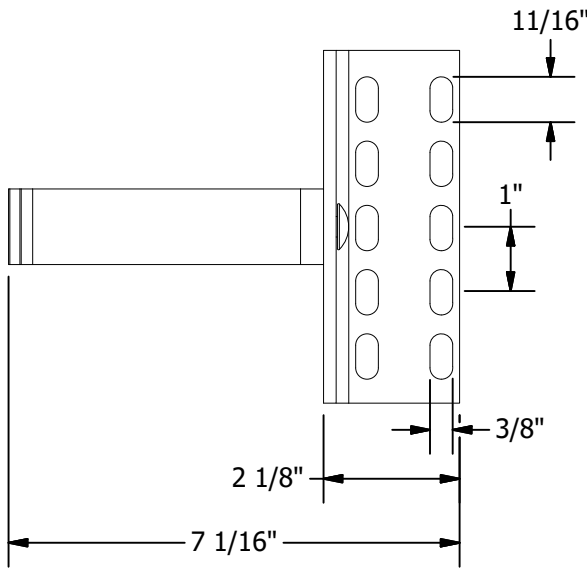
SH-P03

SHEET

**NOTES:**

1. INSTALLATION TO BE COMPLETED IN ACCORDANCE WITH SOLARHOOKS INSTALLATION GUIDE.
2. PACKAGING: KITS OF 30

2X - #14 X 3", 3/8" HEX HEAD LAG BOLTS  
W/ EPDM BONDED WASHERS



**PART # TABLE**

| P/N     | DESCRIPTION                |
|---------|----------------------------|
| 004CT5S | SOLARHOOK UNIV SIDE MT CT5 |



1411 BROADWAY BLVD. NE  
ALBUQUERQUE, NM 87102 USA  
PHONE: 505.242.6411  
WWW.UNIRAC.COM

|                |                 |
|----------------|-----------------|
| PRODUCT LINE:  | SOLARHOOKS      |
| DRAWING TYPE:  | PART & ASSEMBLY |
| DESCRIPTION:   | UNIV SIDE MT    |
| REVISION DATE: | 5/18/2018       |

DRAWING NOT TO SCALE  
ALL DIMENSIONS ARE  
NOMINAL

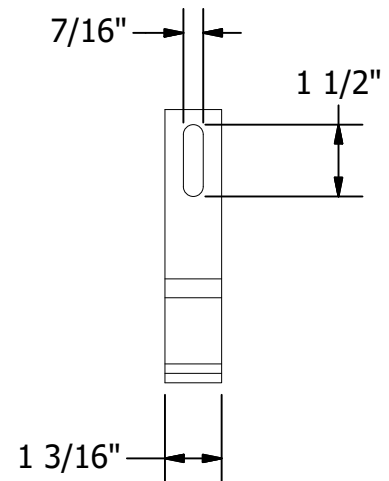
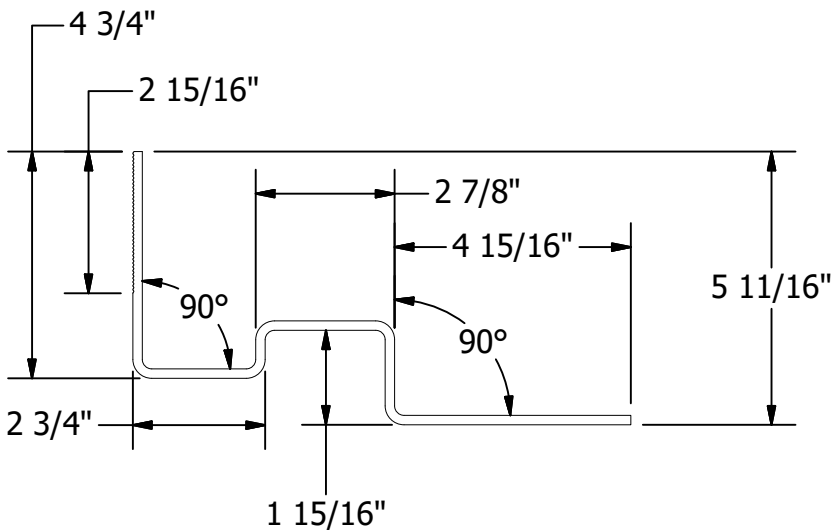
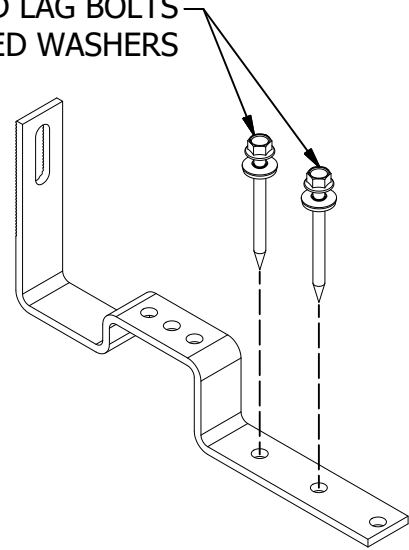
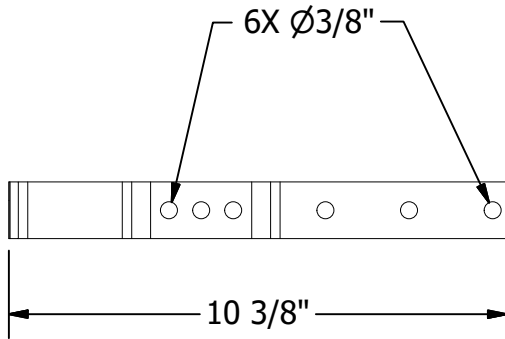
PRODUCT PROTECTED BY  
ONE OR MORE US PATENTS  
LEGAL NOTICE

SH-P05  
SHEET

NOTES:

1. INSTALLATION TO BE COMPLETED IN ACCORDANCE WITH SOLARHOOKS INSTALLATION GUIDE.
2. PACKAGING: KITS OF 30

2X - #14 X 3", 3/8" HEX HEAD LAG BOLTS  
W/ EPDM BONDED WASHERS



PART # TABLE

| P/N     | DESCRIPTION                |
|---------|----------------------------|
| 004ST1S | SOLARHOOK FLAT SIDE MT ST1 |



1411 BROADWAY BLVD. NE  
ALBUQUERQUE, NM 87102 USA  
PHONE: 505.242.6411  
WWW.UNIRAC.COM

|                |              |
|----------------|--------------|
| PRODUCT LINE:  | SOLARHOOKS   |
| DRAWING TYPE:  | PART DETAIL  |
| DESCRIPTION:   | FLAT SIDE MT |
| REVISION DATE: | 5/18/2018    |

DRAWING NOT TO SCALE  
ALL DIMENSIONS ARE  
NOMINAL

PRODUCT PROTECTED BY  
ONE OR MORE US PATENTS  
LEGAL NOTICE

SH-P06

SHEET