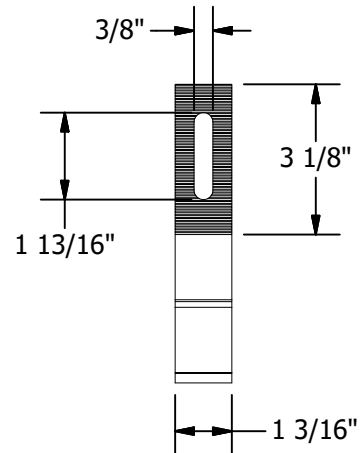
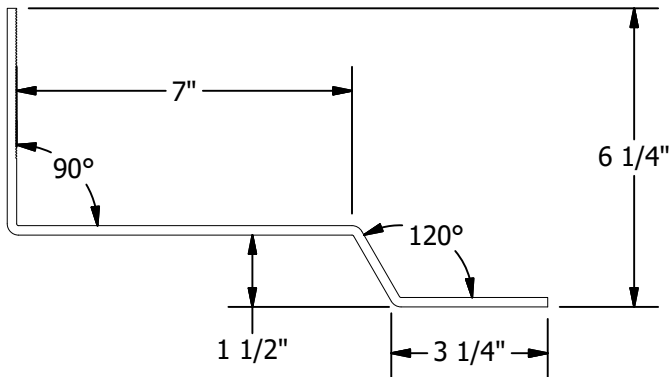
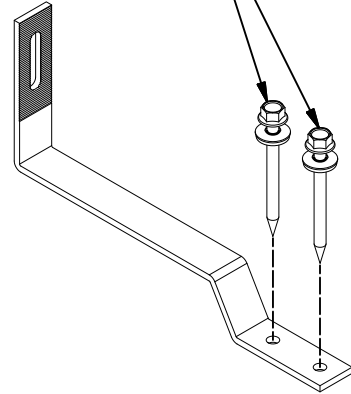
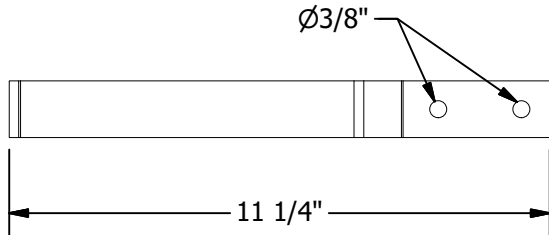


NOTES:

1. INSTALLATION TO BE COMPLETED IN ACCORDANCE WITH SOLARHOOKS INSTALLATION GUIDE.
2. PACKAGING: KITS OF 30

2X - #14 X 3", 3/8" HEX HEAD LAG BOLTS
W/ EPDM BONDED WASHERS



PART # TABLE

P/N	DESCRIPTION
004AT1S	SOLARHOOK FLAT SIDE MT AT1



1411 BROADWAY BLVD. NE
ALBUQUERQUE, NM 87102 USA
PHONE: 505.242.6411
WWW.UNIRAC.COM

PRODUCT LINE:	SOLARHOOKS
DRAWING TYPE:	PART DETAIL
DESCRIPTION:	FLAT SIDE MT
REVISION DATE:	5/18/2018

DRAWING NOT TO SCALE
ALL DIMENSIONS ARE
NOMINAL

PRODUCT PROTECTED BY
ONE OR MORE US PATENTS
LEGAL NOTICE

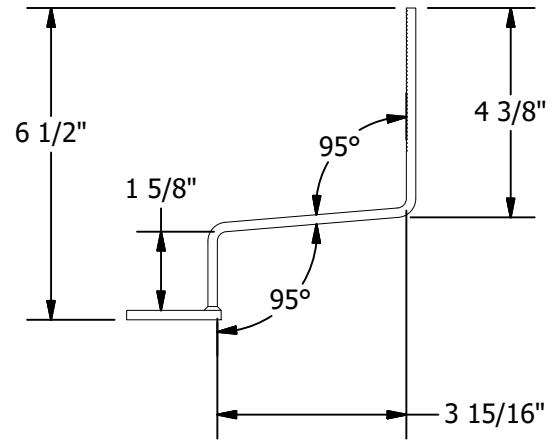
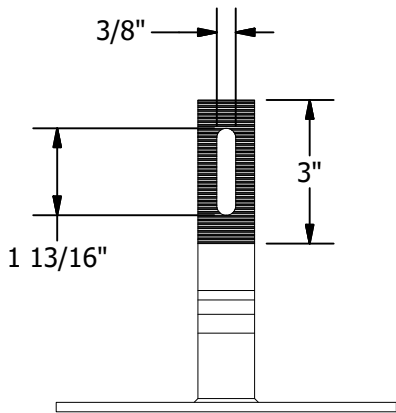
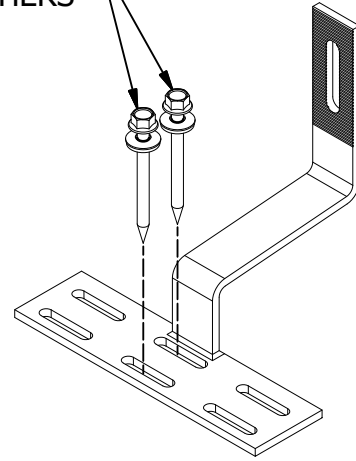
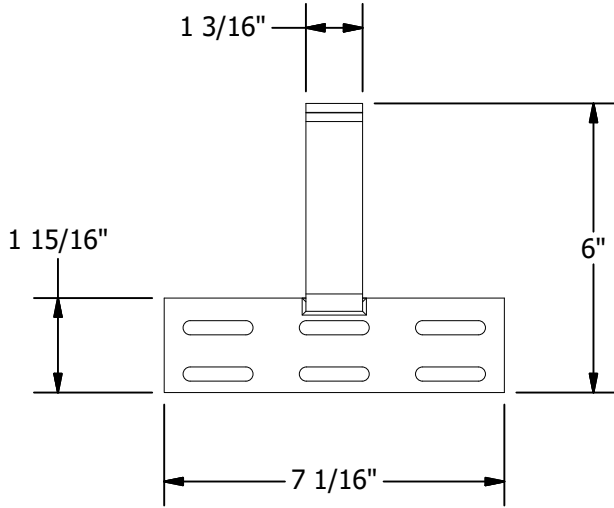
SH-P01

SHEET

NOTES:

1. INSTALLATION TO BE COMPLETED IN ACCORDANCE WITH SOLARHOOKS INSTALLATION GUIDE.
2. PACKAGING: KITS OF 20

2X - #14 X 3", 3/8" HEX HEAD LAG BOLTS
W/ EPDM BONDED WASHERS



PART # TABLE	
P/N	DESCRIPTION
004CT1S	SOLARHOOK SPANISH SIDE MT CT1



1411 BROADWAY BLVD. NE
ALBUQUERQUE, NM 87102 USA
PHONE: 505.242.6411
WWW.UNIRAC.COM

PRODUCT LINE:	SOLARHOOKS
DRAWING TYPE:	PART DETAIL
DESCRIPTION:	SPANISH SIDE MT
REVISION DATE:	5/18/2018

DRAWING NOT TO SCALE
ALL DIMENSIONS ARE
NOMINAL

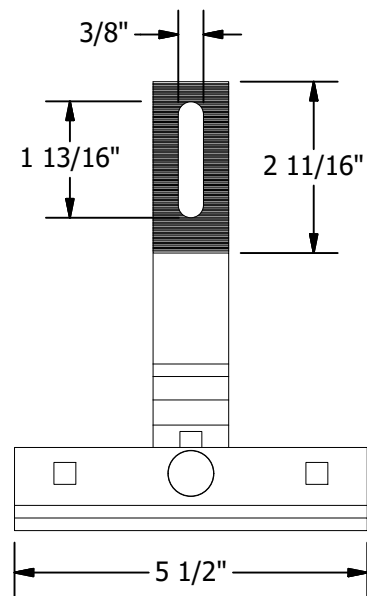
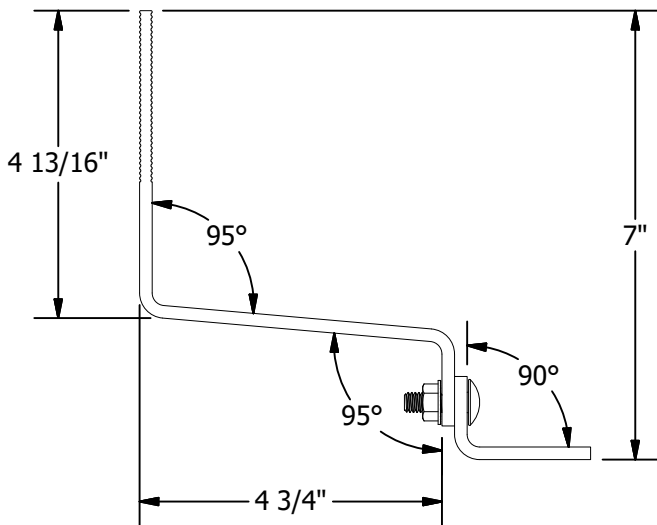
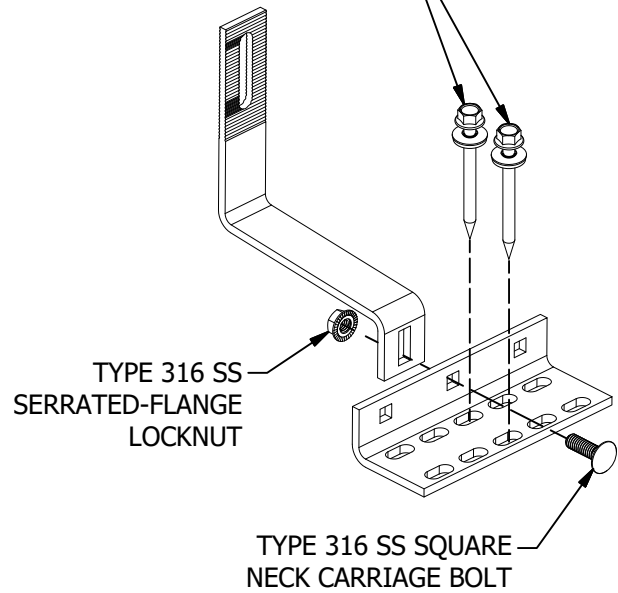
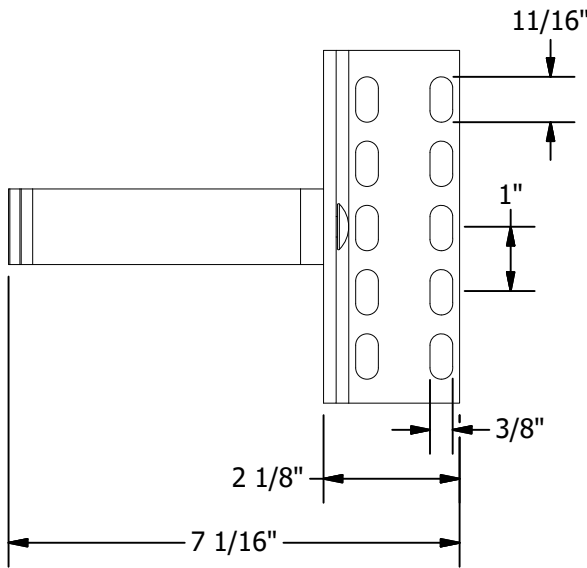
PRODUCT PROTECTED BY
ONE OR MORE US PATENTS
LEGAL NOTICE

SH-P03
SHEET

NOTES:

1. INSTALLATION TO BE COMPLETED IN ACCORDANCE WITH SOLARHOOKS INSTALLATION GUIDE.
2. PACKAGING: KITS OF 30

2X - #14 X 3", 3/8" HEX HEAD LAG BOLTS
W/ EPDM BONDED WASHERS



PART # TABLE

P/N	DESCRIPTION
004CT5S	SOLARHOOK UNIV SIDE MT CT5



1411 BROADWAY BLVD. NE
ALBUQUERQUE, NM 87102 USA
PHONE: 505.242.6411
WWW.UNIRAC.COM

PRODUCT LINE:	SOLARHOOKS
DRAWING TYPE:	PART & ASSEMBLY
DESCRIPTION:	UNIV SIDE MT
REVISION DATE:	5/18/2018

DRAWING NOT TO SCALE
ALL DIMENSIONS ARE
NOMINAL

PRODUCT PROTECTED BY
ONE OR MORE US PATENTS
LEGAL NOTICE

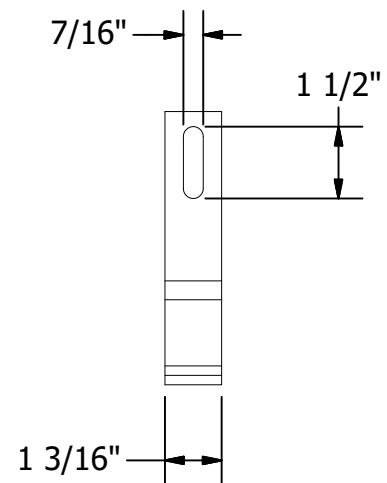
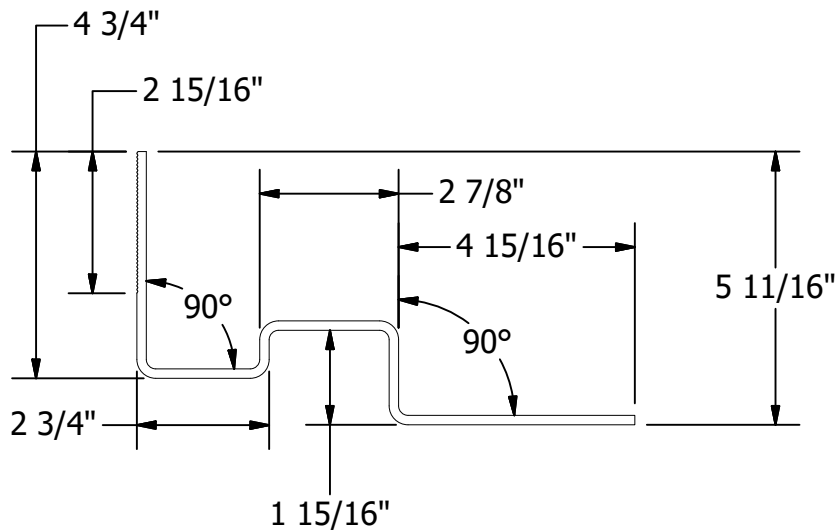
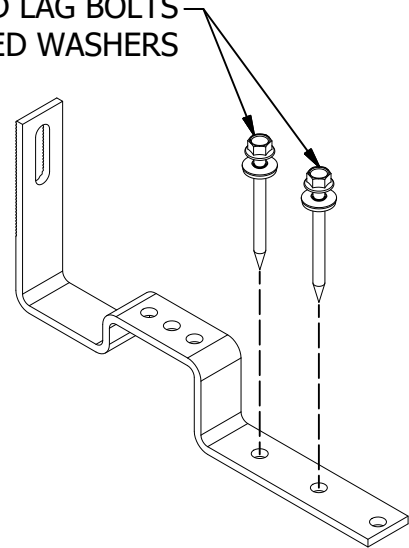
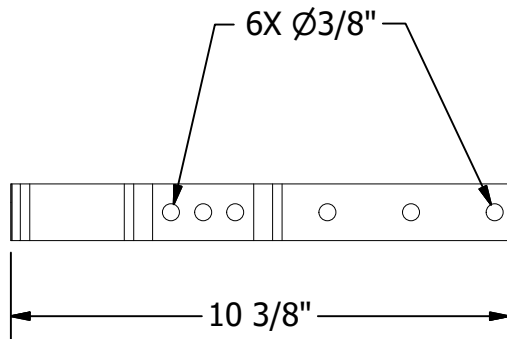
SH-P05

SHEET

NOTES:

1. INSTALLATION TO BE COMPLETED IN ACCORDANCE WITH SOLARHOOKS INSTALLATION GUIDE.
2. PACKAGING: KITS OF 30

2X - #14 X 3", 3/8" HEX HEAD LAG BOLTS
W/ EPDM BONDED WASHERS



PART # TABLE

P/N	DESCRIPTION
004ST1S	SOLARHOOK FLAT SIDE MT ST1



1411 BROADWAY BLVD. NE
ALBUQUERQUE, NM 87102 USA
PHONE: 505.242.6411
WWW.UNIRAC.COM

PRODUCT LINE: SOLARHOOKS

DRAWING TYPE: PART DETAIL

DESCRIPTION: FLAT SIDE MT

REVISION DATE: 5/18/2018

DRAWING NOT TO SCALE
ALL DIMENSIONS ARE
NOMINAL

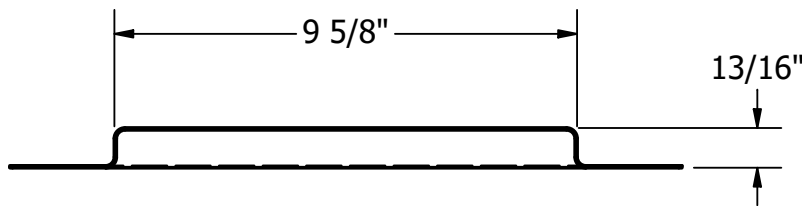
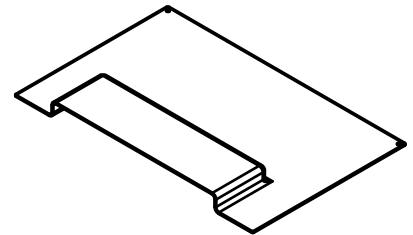
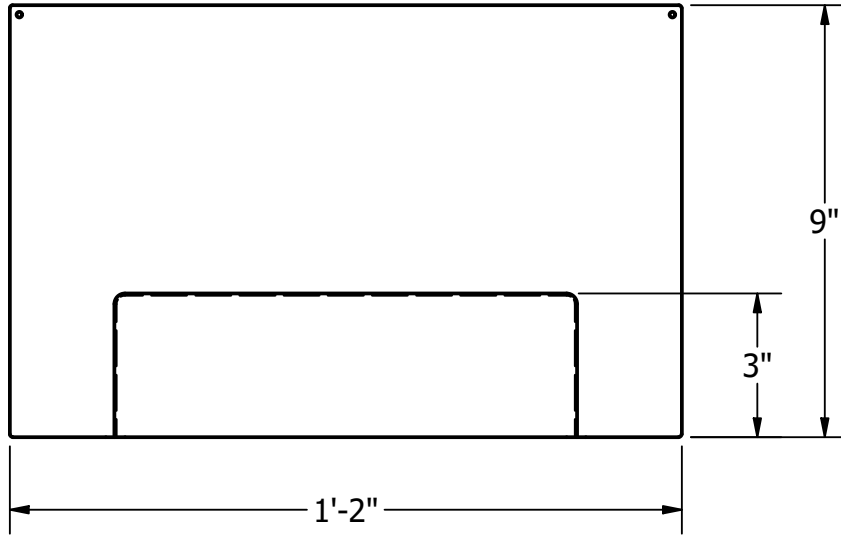
PRODUCT PROTECTED BY
ONE OR MORE US PATENTS
LEGAL NOTICE

SH-P06

SHEET

NOTES:

1. INSTALLATION TO BE COMPLETED IN ACCORDANCE WITH SOLARHOOKS INSTALLATION GUIDE.
2. PACKAGING: KITS OF 30



PART # TABLE	
P/N	DESCRIPTION
004FLCT	SOLARHOOK SPANISH FLCT



1411 BROADWAY BLVD. NE
 ALBUQUERQUE, NM 87102 USA
 PHONE: 505.242.6411
 WWW.UNIRAC.COM

PRODUCT LINE:	SOLARHOOKS
DRAWING TYPE:	PART DETAIL
DESCRIPTION:	SPANISH FLASHING
REVISION DATE:	5/30/2019

DRAWING NOT TO SCALE
 ALL DIMENSIONS ARE
 NOMINAL

PRODUCT PROTECTED BY
 ONE OR MORE US PATENTS
 LEGAL NOTICE

SH-P08
 SHEET