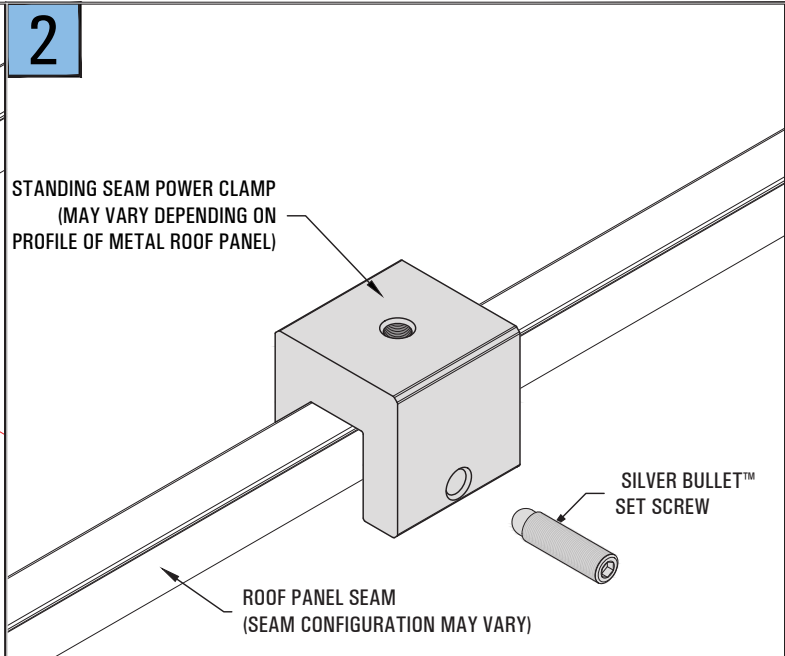
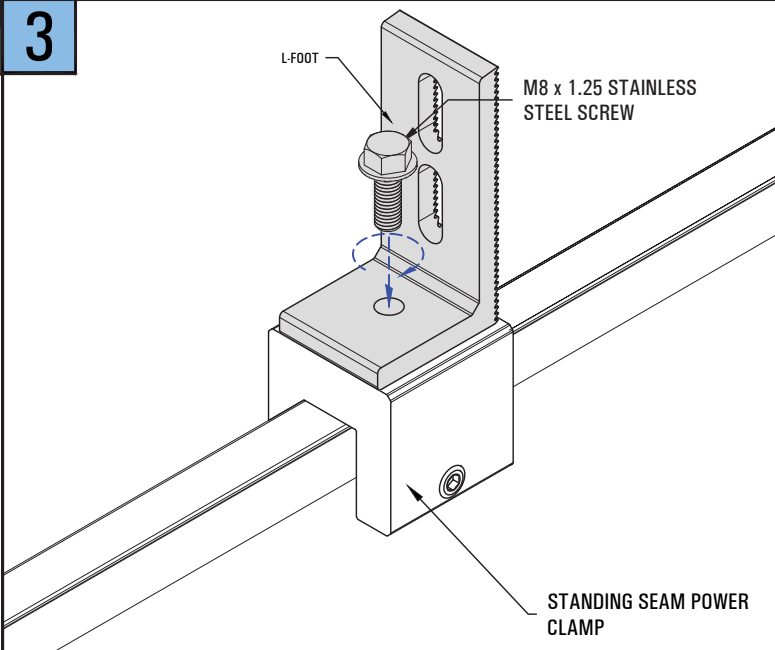


MEASURE THE DISTANCE FROM THE EAVE TO THE FIRST ROW OF STANDING SEAM CLAMPS AND USE A STRING LINE OVER THE ROOF PANEL SEAMS TO ESTABLISH A STRAIGHT GUIDELINE FOR INSTALLATION.



ALIGN THE STANDING SEAM POWER CLAMP ON THE SEAM AS SHOWN IN THE ORIENTATION BELOW, DEPENDING ON THE APPLICABLE SEAM PROFILE. SET THE SET SCREW(S) LOCATED AT THE BOTTOM OF THE CLAMP. THE TORQUE SHOULD BE VERIFIED WITH A CALIBRATED TORQUE WRENCH WITHIN THE RECOMMENDED GUIDELINES SET FORTH BELOW.
 CONTACT UNIRAC, INC. FOR THE RECOMMENDED TORQUE REQUIREMENTS OF ANY METAL GAUGE AND/OR MATERIAL NOT LISTED BELOW.
 24 Ga. STEEL = 150 IN/LBS - 160 IN/LBS B. 22 Ga. STEEL = 180 IN/LBS - 200 IN/LBS



PLACE THE L-FOOT AND INSERT THE STAINLESS STEEL SCREW INTO THE THE TOP OF THE STANDING SEAM POWER CLAMP AND TORQUE WITH A CALIBRATED TORQUE WRENCH TO A MINIMUM OF 100 IN/LBS.



004130M
STANDING SEAM CLAMP, MINI 1SS



004131M
STANDING SEAM CLAMP, STND 2SS



004132M
STANDING SEAM CLAMP, WIDE 2SS

SOLARMOUNT INSTALLATION GUIDE FOR STANDING SEAM CLAMPS