

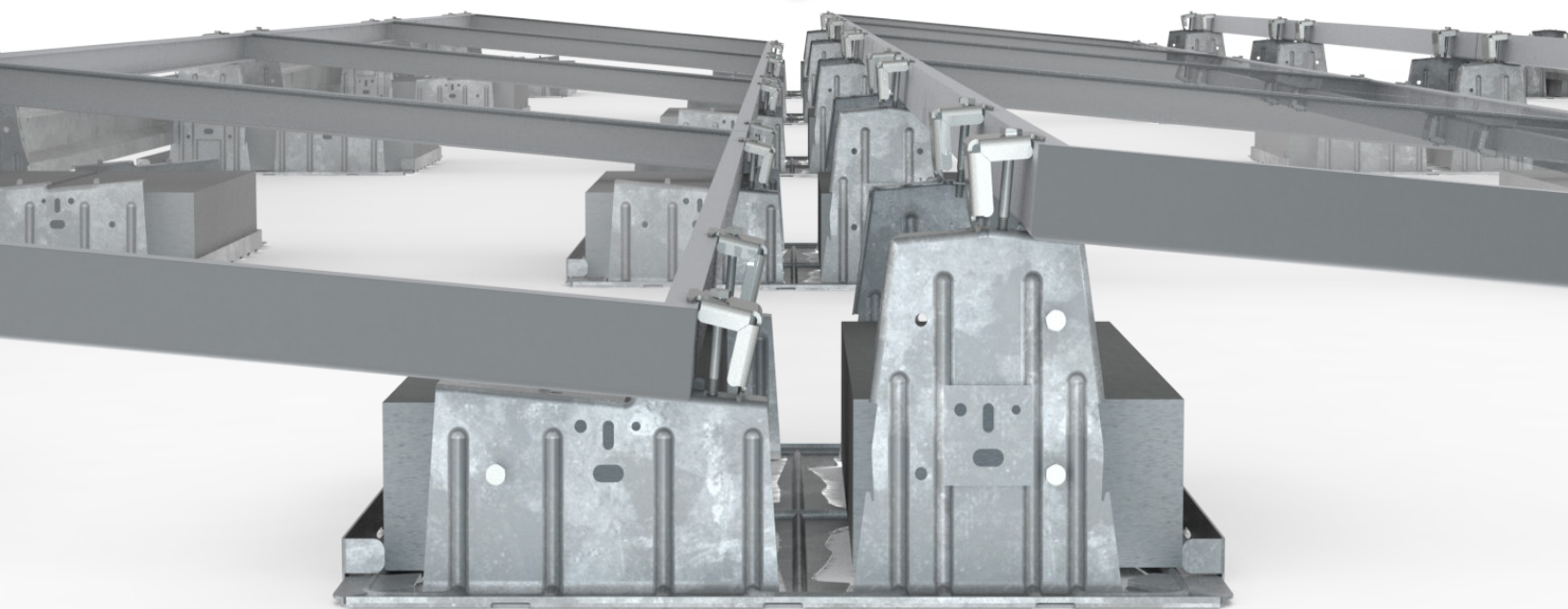
ROOFMOUNT | RM5

SOUTH FACING 5 DEGREE TILT



BETTER SOLAR STARTS HERE

RM5 is a ballasted south-facing five-degree tilt mounting system for flat roofs. Fewer components, single tool installation, snap-in hardware, and integrated bonding ensure high speed installation, while features such as 7.5" or 11" row spacing and optional wind deflector, roof attachments, MLPE mount, and wire management provide a complete solution. UNIRAC's unmatched commercial project support makes construction easy, from permitting through installation, and **RM5** is supported by North America's largest distribution network. Plus, enjoy peace of mind with UNIRAC's industry-leading 25-year warranty.



MAXIMIZE PROFITABILITY AT EVERY STEP

FOR QUESTIONS OR CUSTOMER SERVICE VISIT UNIRAC.COM OR CALL (505) 248-2702

ROOFMOUNT | RM5

SOUTH FACING 5 DEGREE TILT



BETTER SOLAR STARTS HERE

OPTIMIZE ARRAY LAYOUT

MAXIMUM LAYOUT FLEXIBILITY WITH TWO ROW SPACING OPTIONS

5 Degree Tilt with 7" / 11" Row Spacing Options

Set, Then Clamp Feature, Provides Better Construction Sequencing for Rapid Installation

Simplified Wire Management, with Two (2) Optional Unirac Clips

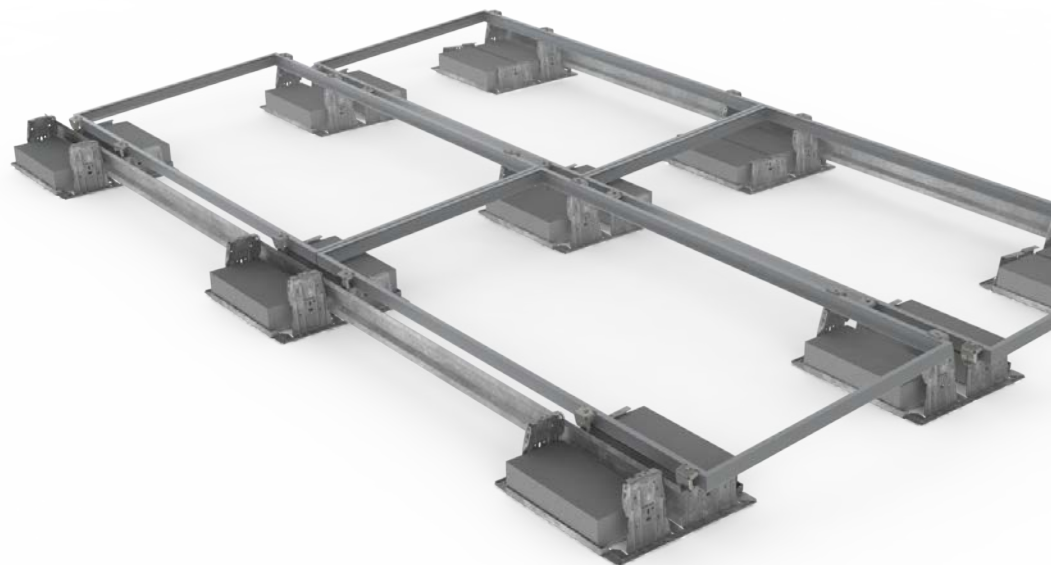
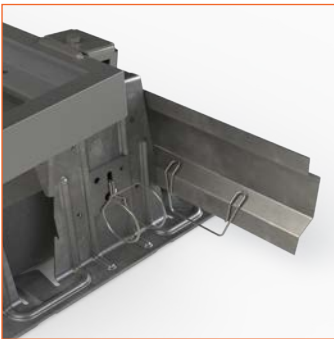
Wind Deflector for Ballast Reduction & Fire Mitigation

Optional Roof Attachment Meets a Variety of Project Requirements

MPL Mount with Engage Trunk Cable Wire Management Clip

G235 Steel - Double the Corrosion Protection of other Industry Products

Compact Packaging - Up to 1 MW / Truck



GENERATE LAYOUTS IN MINUTES WITH U-BUILDER ON-LINE DESIGN TOOL

HelioScope Integration • Google & Bing Maps • Ballast Distribution Maps • Site Specific Engineering Reports • Layout Multiple Arrays per Project • CAD Downloads

INDUSTRY LEADING PROJECT SUPPORT

UNIRAC's Team of Technical Experts & Professional Engineers is Your Partner Through Design, Engineering, Permitting and Installation.

GUARANTEED PERMIT APPROVAL

UL2703 Certification Documents • Stamped 3rd Party PE Letters • Construction Drawings • AHJ Outreach Program

FASTEST DELIVERY IN THE INDUSTRY

In Stock & Ready to Ship From North America's Largest Flat Roof Distribution Network.

WORLD CLASS INSTALLATION TRAINING & SUPPORT

Library of QuickTips Installation Videos • Installation Guides • Live Demos • Train the Trainer Program

MAXIMIZE PROFITABILITY AT EVERY STEP

FOR QUESTIONS OR CUSTOMER SERVICE VISIT UNIRAC.COM OR CALL (505) 248-2702