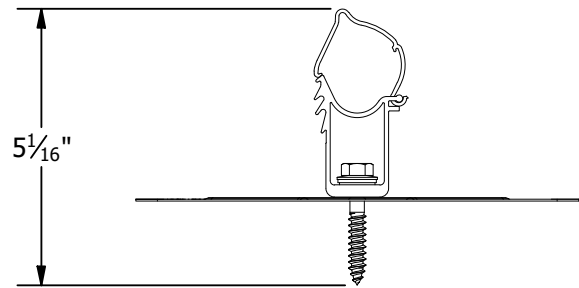
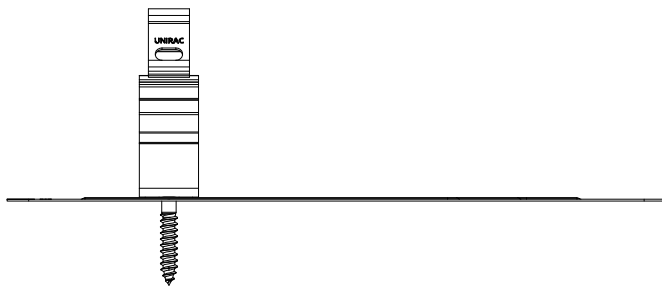
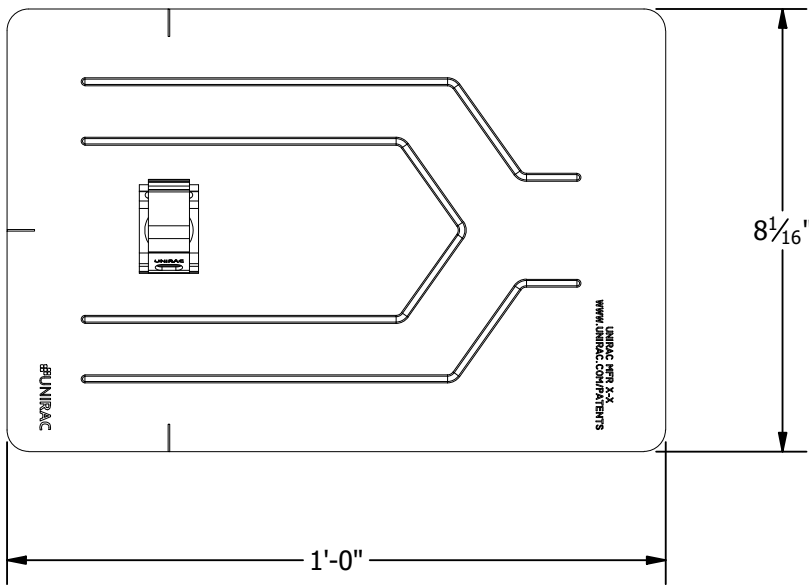
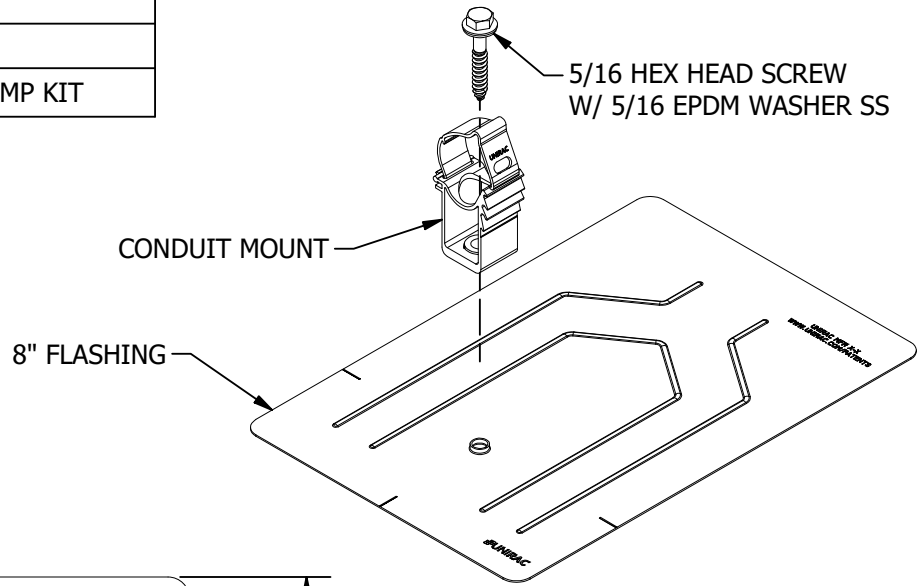


PART # TABLE	
P/N	DESCRIPTION
00822CM	E-BOSS CONDUIT MT 2.0 COMP KIT



1411 BROADWAY BLVD. NE
ALBUQUERQUE, NM 87102 USA
PHONE: 505.242.6411
WWW.UNIRAC.COM

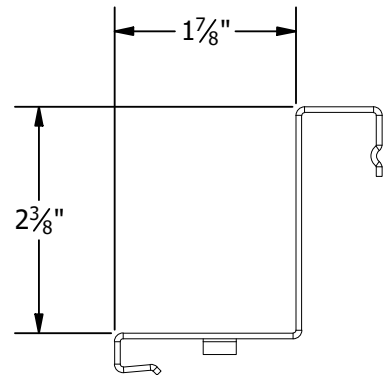
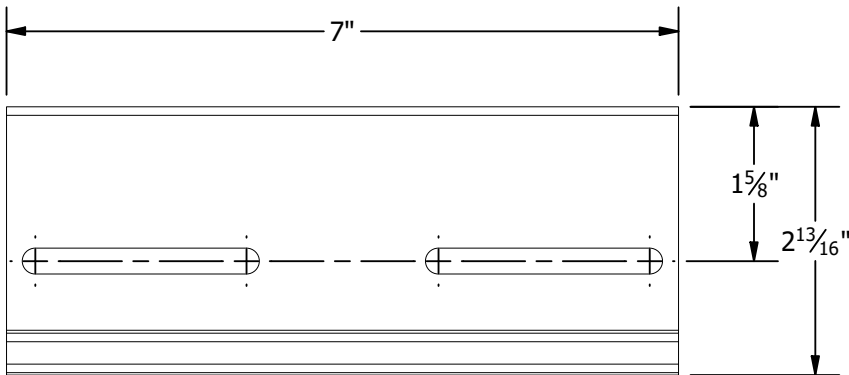
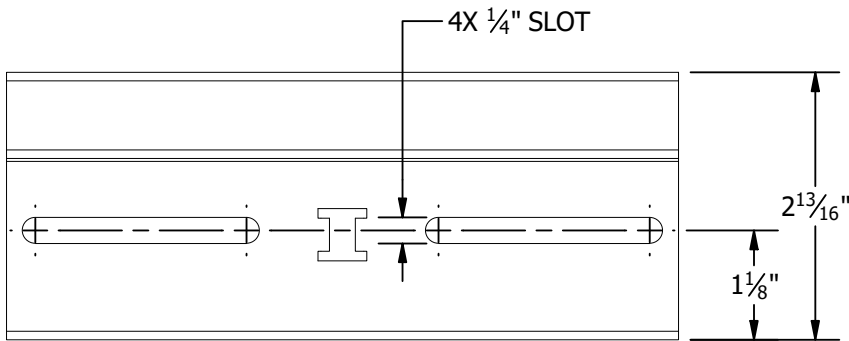
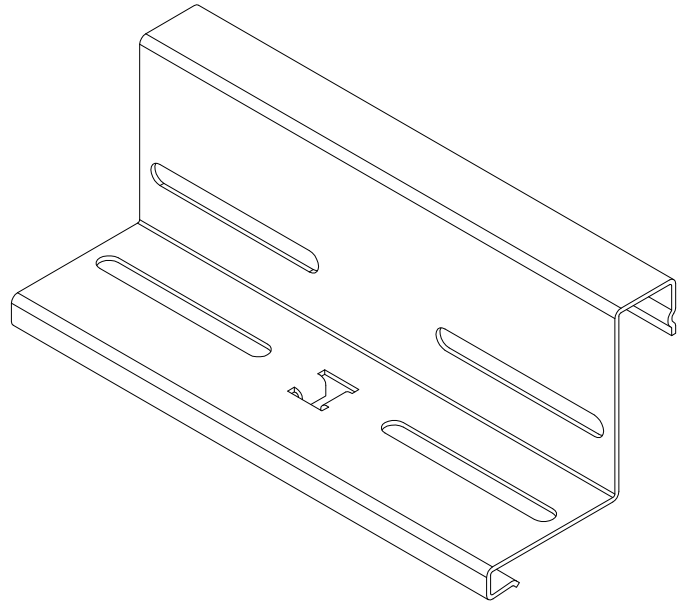
PRODUCT LINE:	E-BOSS
DRAWING TYPE:	PARTS ASSEMBLY
DESCRIPTION:	CONDUIT MT KIT
REVISION DATE:	8/12/2020

DRAWING NOT TO SCALE
ALL DIMENSIONS ARE
NOMINAL

PRODUCT PROTECTED BY
ONE OR MORE US PATENTS
LEGAL NOTICE

EB-A01
SHEET

PART # TABLE	
P/N	DESCRIPTION
00802JB	E-BOSS J-BOX MOUNTING BRACKET



1411 BROADWAY BLVD. NE
 ALBUQUERQUE, NM 87102 USA
 PHONE: 505.242.6411
 WWW.UNIRAC.COM

PRODUCT LINE:	E-BOSS
DRAWING TYPE:	PART DRAWING
DESCRIPTION:	J-BOX BRACKET
REVISION DATE:	6/24/2019

DRAWING NOT TO SCALE
 ALL DIMENSIONS ARE
 NOMINAL

PRODUCT PROTECTED BY
 ONE OR MORE US PATENTS

LEGAL NOTICE

EB-P01

SHEET