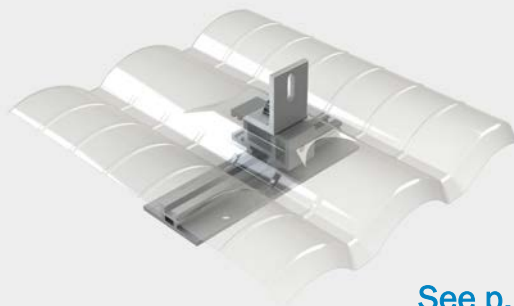


UNIRAC[®]

MASTER PRICE LIST

FLASHKIT TR



See p. 4

TILE REPLACEMENT KIT

PUB2018DEC03

INTRODUCTION



Unirac is North America's leading manufacturer of solar PV mounting systems. Recognized for our excellence in product development, we provide the best mounting solutions to our customers through competitively priced products, responsive customer support, integrated technology solutions, robust engineering services, certified quality, and supply-chain excellence. With 20 years of customer service, Unirac has over 5GW of experience and nearly 750,000 installations worth of knowledge; partnering with Unirac leverages experience that makes a difference.



TABLE OF CONTENTS

PITCHED ROOF

SOLARMOUNT | RAIL-BASED MOUNTING SYSTEM

SOLARMOUNT PRO Series Mid and EndClamps	Page 1
SOLARMOUNT Rail, Rail Splice, L-Foot	Page 2- 3
Roof Flashings and Attachments	Page 4 - 6
Grounding, Bonding, Wire Management Accessories	Page 7
Optional Front Trim and Tilt Legs	Page 7
Optional Top Mounting Hardware	Page 8

SUNFRAME MICRORAIL (SFM) | RAIL-LESS MOUNTING SYSTEM

System Components	Page 9 - 10
-------------------	-------------

SUNFRAME | SHARED RAIL MOUNTING SYSTEM

System Components	Page 11 - 12
-------------------	--------------

FLAT ROOF

RM5 | SOUTH FACING 5 DEGREE TILT MOUNTING SYSTEM

System Components	Page 13
-------------------	---------

RM10 | SOUTH FACING 10 DEGREE TILT MOUNTING SYSTEM

System Components	Page 14
-------------------	---------

RMDT | 8 DEGREE EAST-WEST TILT MOUNTING SYSTEM

System Components	Page 15
-------------------	---------

GROUND MOUNT

GROUND FIXED TILT (GFT) | SHARED RAIL GROUND MOUNT SYSTEM

System Components	Page 16
-------------------	---------

UNIRAC LARGE ARRAY | SOLARMOUNT-BASED GROUND MOUNT SYSTEM

System Components	Page 17
-------------------	---------



PRO SERIES MIDCLAMP

SOLARMOUNT is the professionals' choice for residential PV mounting applications. The system is designed for superior aesthetics and an easier, faster installation experience, including fewer SKUs, preassembled components, and integrated bonding. SOLARMOUNT is a complete solution with revolutionary universal clamps, FLASHKIT PRO, full system UL 2703 certification and 25-year warranty. Not only is SOLARMOUNT easy to install, but best-in-class aesthetics make it the most attractive on any block!

SOLARMOUNT PRO SERIES PRO SERIES COMPONENTS ARE THE HEART OF THE SYSTEM

SOLARMOUNT PRO SERIES UNIVERSAL MIDCLAMPS

ONE TOOL, ONE PERSON INSTALLS ARE HERE!
UNIVERSAL, SELF-STANDING MIDCLAMP WITH RECESSED HARDWARE PROVIDES THE CLEAN SOLARMOUNT LOOK VALUED BY HOMEOWNERS. UL2703 INTEGRATED BONDING. NO ANTI-SEIZE NEEDED: PROPRIETARY COATING PREVENTS GALLING.



PRO SERIES ENDCLAMP

P/N	DESCRIPTION	LIST PRICE (EA)	PACK SIZE	SHIP WT. LBS
302030D	SM MIDCLAMP PRO DRK	\$ 4.00	20	2.20
302030M	SM MIDCLAMP PRO MILL	\$ 3.75	20	2.20

① FITS 30mm-51mm MODULE THICKNESS

SOLARMOUNT PRO SERIES UNIVERSAL ENDCLAMPS

REVOLUTIONARY CONCEALED DESIGN CREATES SUPERIOR AESTHETICS. UNIVERSAL CLAMP SECURES MODULE RETURN FLANGE AND ELIMINATES SKUS. EASY TO ACCESS BOLT HEAD MAKES INSTALLATION EASY. END CAP INCLUDED WITH EVERY ENDCLAMP.

P/N	DESCRIPTION	LIST PRICE (EA)	PACK SIZE	SHIP WT. LBS
302035M	SM ENDCLAMP PRO W/END CAP	\$ 4.50	4	0.60

② SECURES MODULE FRAME RETURN FLANGE

LEARN MORE / GET INFORMATION

[SOLARMOUNT \(SM\) PRODUCT PAGE](#)

LAYOUT YOUR PROJECT IN SECONDS

[GET A SM QUOTE / BOM WITH U-BUILDER](#)

WHERE TO BUY

[CLICK HERE TO FIND A UNIRAC DISTRIBUTOR](#)

KEY

SYMBOL	DESCRIPTION
--------	-------------

CLR	= CLEAR ANODIZED
-----	------------------

DRK	= DARK BRONZE ANODIZED (BLACK)
-----	--------------------------------

MILL	= MILL FINISH ALUMINUM
------	------------------------



LEARN MORE / GET INFORMATION

[SOLARMOUNT \(SM\) PRODUCT PAGE](#)

LAYOUT YOUR PROJECT IN SECONDS

[GET A SM QUOTE / BOM WITH U-BUILDER](#)

WHERE TO BUY

[CLICK HERE TO FIND A UNIRAC DISTRIBUTOR](#)

KEY

SYMBOL	DESCRIPTION
--------	-------------

CLR	= CLEAR ANODIZED
-----	------------------

DRK	= DARK BRONZE ANODIZED (BLACK)
-----	--------------------------------

MILL	= MILL FINISH ALUMINUM
------	------------------------

LIGHT RAIL

SOLARMOUNT LIGHT RAILS - DISTRIBUTOR PACK

P/N	DESCRIPTION	LIST PRICE (EA)	PACK SIZE	SHIP WT. LBS
315168M	SM LIGHT RAIL 168" MILL	\$ 50.83	144	991.00
315168D	SM LIGHT RAIL 168" DRK	\$ 66.93	144	991.00
315240M	SM LIGHT RAIL 240" MILL	\$ 72.61	144	1417.00
315240D	SM LIGHT RAIL 240" DRK	\$ 95.62	144	1417.00

3 NOT COMPATIBLE WITH SOLARMOUNT BOTTOM CLIPS

STANDARD RAIL

SOLARMOUNT STANDARD RAILS - DISTRIBUTOR PACK

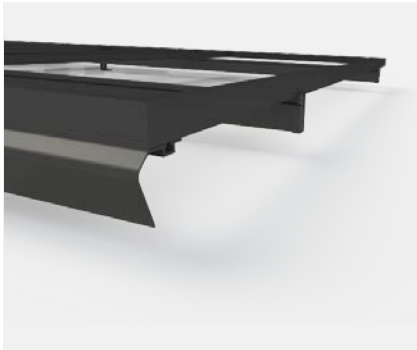
P/N	DESCRIPTION	LIST PRICE (EA)	PACK SIZE	SHIP WT. LBS
320132M	SM RAIL 132" MILL	\$ 55.60	144	1188.00
310132C	SM RAIL 132" CLR	\$ 64.60	144	1188.00
320168M	SM RAIL 168" MILL	\$ 70.75	144	1512.00
310168C	SM RAIL 168" CLR	\$ 82.25	144	1512.00
310168D	SM RAIL 168" DRK	\$ 97.25	144	1512.00
320208M	SM RAIL 208" MILL	\$ 87.60	144	1872.00
310208C	SM RAIL 208" CLR	\$101.80	144	1872.00
320240M	SM RAIL 240" MILL	\$101.10	144	2160.00
310240C	SM RAIL 240" CLR	\$117.50	144	2160.00
310240D	SM RAIL 240" DRK	\$138.90	144	2160.00

3 NOT COMPATIBLE WITH SOLARMOUNT BOTTOM CLIPS

SOLARMOUNT STANDARD RAILS - PRO-PAK BUNDLE OF 8 RAILS

P/N	DESCRIPTION	LIST PRICE (EA)	PACK SIZE	SHIP WT. LBS
320132M-B	SM RAIL 132" MILL 8PK	\$ 62.50	8	66.00
310132C-B	SM RAIL 132" CLR 8PK	\$ 71.20	8	66.00
320168M-B	SM RAIL 168" MILL 8PK	\$ 79.10	8	84.00
310168C-B	SM RAIL 168" CLR 8PK	\$ 91.00	8	84.00
310168D-B	SM RAIL 168" DRK 8PK	\$113.63	8	84.00
320208M-B	SM RAIL 208" MILL 8PK	\$ 92.20	8	104.00
310208C-B	SM RAIL 208" CLR 8PK	\$113.50	8	104.00
320240M-B	SM RAIL 240" MILL 8PK	\$106.40	8	120.00
310240C-B	SM RAIL 240" CLR 8PK	\$132.65	8	120.00

3 NOT COMPATIBLE WITH SOLARMOUNT BOTTOM CLIPS



LEARN MORE / GET INFORMATION

SOLARMOUNT (SM) PRODUCT PAGE

LAYOUT YOUR PROJECT IN SECONDS

GET A SM QUOTE / BOM WITH U-BUILDER

WHERE TO BUY

CLICK HERE TO FIND A UNIRAC DISTRIBUTOR

KEY

SYMBOL DESCRIPTION

CLR	= CLEAR ANODIZED
DRK	= DARK BRONZE ANODIZED (BLACK)
MILL	= MILL FINISH ALUMINUM
UV	= UV RESISTANT PLASTIC BLACK

HEAVY DUTY RAIL

SOLARMOUNT HEAVY DUTY (SMHD) RAILS - SPECIAL ORDER

P/N	DESCRIPTION	LIST PRICE (EA)	PACK SIZE	SHIP WT. LBS
410144M	SMHD, RAIL 144" MILL	\$146.00	1	15.00
410168M	SMHD, RAIL 168" MILL	\$166.00	1	17.00
410204M	SMHD RAIL 204" MILL	\$201.00	1	20.00
410240M	SMHD, RAIL 240" MILL	\$235.00	1	25.00

SOLARMOUNT BOTTOM MOUNTING CLIPS (USE w/ SMHD RAIL ONLY)

P/N	DESCRIPTION	LIST PRICE (EA)	PACK SIZE	SHIP WT. LBS
302000C	SMHD BOTTOM CLIPS W/HDW, CLR	\$ 1.37	20	2.00

④ COMPATIBLE WITH SOLARMOUNT HEAVY DUTY (SMHD) RAIL ONLY

SYSTEM COMPONENTS

SOLARMOUNT OPTIMIZED L-FEET & INTEGRATED BONDING SPLICE BARS

P/N	DESCRIPTION	LIST PRICE (EA)	PACK SIZE	SHIP WT. LBS
⑤ 303018C	BND SPLICE BAR SERRATED CLR	\$ 7.85	20	9.00
303018D	BND SPLICE BAR SERRATED DRK	\$ 9.00	20	9.00
304001C	L-FOOT SERR W/ T-BOLT, CLR	\$ 4.35	20	5.00
304001D	L-FOOT SERR W/ T-BOLT, DRK	\$ 4.55	20	5.00

⑤ REQUIRED FOR INTEGRATED BONDING OF SOLARMOUNT SYSTEM

SPARE HARDWARE FOR SPLICE BAR & L-FOOT

P/N	DESCRIPTION	LIST PRICE (EA)	PACK SIZE	SHIP WT. LBS
009010S	SPLICE TEK SCRW #12-14X3/4" SS	\$ 0.75	80	1.00
009020S	BND T-BOLT&NUT 3/8" X 3/4" SS	\$ 1.30	20	1.00

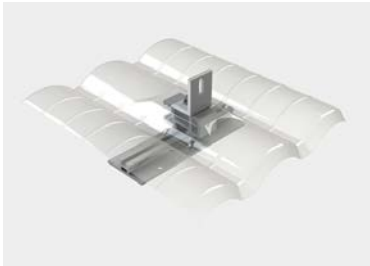


FLASHKIT PRO

COMPLETE ATTACHMENT SOLUTION FOR COMP. SHINGLE ROOFS

WHERE TO BUY

[CLICK HERE TO FIND A UNIRAC DISTRIBUTOR](#)



FLASHKIT TR

COMPLETE TILE REPLACEMENT SOLUTION FOR TILE ROOFS

KEY

SYMBOL	DESCRIPTION
CLR	= CLEAR ANODIZED
DRK	= DARK BRONZE ANODIZED (BLACK)
MILL	= MILL FINISH ALUMINUM
AL	= ALUMINUM
STL	= ZINC PLATED STEEL

FLASHKIT PRO (FEAT. SHED & SEAL TECHNOLOGY)

FLASHINGS - COMPLETE COMP. SHINGLE ROOF ATTACHMENT SOLUTION

A TRUSTED WATER SEAL FOR COMPOSITION SHINGLE ROOFS FEATURING UNIRAC'S PATENTED SHED & SEAL TECHNOLOGY FOR THE ULTIMATE PROTECTION AGAINST LEAKS. EVERYTHING YOU NEED FOR A QUICK, PROFESSIONAL INSTALLATION: PACKED IN 10-PACKS FOR MAXIMUM CONVENIENCE. BACKED BY UNIRAC'S 25-YEAR FULL-SYSTEM WARRANTY.

P/N	DESCRIPTION	LIST PRICE (EA)	PACK SIZE	SHIP WT. LBS
004055M	FLASHKIT PRO, MILL 10 PK	\$ 14.50	10	7.35
004055D	FLASHKIT PRO, DRK 10 PK	\$ 16.50	10	7.35

6 INCLUDES FLASHINGS, CONTINUOUS SLOT L-FEET, LAGS, RAIL HDW

(NEW) WEATHER SEAL TECHNOLOGY

(NEW) FLASHINGS - COMPLETE TILE REPLACEMENT SOLUTION

FLASHKIT TR IS THE COMPLETE TILE REPLACEMENT SOLUTION FOR TILE ROOFS. THE UNIVERSAL BASE INTEGRATES WITH A SELECTION OF THREE FLASHING SHAPES AND THREE FLASHING COLORS TO MATCH YOUR TILE ROOF, WHILE UNIRAC'S PATENTED WATER SEAL TECHNOLOGY PROVIDES THE ULTIMATE PROTECTION AGAINST LEAKS. BACKED BY UNIRAC'S 25-YEAR FULL-SYSTEM WARRANTY AND KITTED IN 10-PACKS FOR MAXIMUM CONVENIENCE.

P/N	DESCRIPTION	LIST PRICE (EA)	PACK SIZE	SHIP WT. LBS
004TRFA	FLASHKIT TR FLAT-TILE ADOBE	\$ 52.42	10	30.00
004TRFD	FLASHKIT TR FLAT-TILE CHARCOAL	\$ 52.42	10	30.00
004TRFM	FLASHKIT TR FLAT-TILE MILL	\$ 46.43	10	30.00
004TRSA	FLASHKIT TR SPAN-TILE ADOBE	\$ 54.78	10	31.00
004TRSD	FLASHKIT TR SPAN-TILE CHARCOAL	\$ 54.78	10	31.00
004TRSM	FLASHKIT TR SPAN-TILE MILL	\$ 48.59	10	31.00
004TRWA	FLASHKIT TR W-TILE ADOBE	\$ 52.42	10	31.00
004TRWD	FLASHKIT TR W-TILE CHARCOAL	\$ 52.42	10	31.00
004TRWM	FLASHKIT TR W-TILE MILL	\$ 46.43	10	31.00

INCLUDES BASE PLATE, TIERED RISER, RISER BOLT, TILE REPLACEMENT, CONTINUOUS SLOT L-FEET, LAGS, RAIL HDW

(NEW) OPTIONAL DECK-LEVEL FLASHING FOR TILE REPLACEMENT

P/N	DESCRIPTION	LIST PRICE (EA)	PACK SIZE	SHIP WT. LBS
004TRSF	FLASHKIT TR UNIV SUB-FLASHING	\$ 7.00	50	10.00



(NEW) SOLARHOOKS

COMPLETE ATTACHMENT SOLUTIONS FOR TILE ROOFS

WHERE TO BUY

[CLICK HERE TO FIND A UNIRAC DISTRIBUTOR](#)

TILE ROOF HOOKS

(NEW) UNIVERSAL TILE ROOF SOLARHOOKS (LAG BOLTS INCLUDED)

P/N	DESCRIPTION	LIST PRICE (EA)	PACK SIZE	SHIP WT. LBS
8 004CT5S	SOLARHOOK UNIV SIDE MT CT5	\$ 16.45	30	46.00
8 P/N 009020S BND T-BOLT & NUT ATTACHES SIDEMOUNT HOOK TO RAIL; NO L-FOOT NEEDED				

(NEW) SPANISH TILE ROOF SOLARHOOKS (LAG BOLTS INCLUDED)

P/N	DESCRIPTION	LIST PRICE (EA)	PACK SIZE	SHIP WT. LBS
8 004CT1S	SOLARHOOK SPANISH SIDE MT CT1	\$ 14.15	20	26.00
004FLCT	SOLARHOOK FLSHING SPANISH FLCT	\$ 10.90	30	16.50
8 P/N 009020S BND T-BOLT & NUT ATTACHES SIDEMOUNT HOOK TO RAIL; NO L-FOOT NEEDED				

(NEW) FLAT TILE ROOF SOLARHOOKS (LAG BOLTS INCLUDED)

P/N	DESCRIPTION	LIST PRICE (EA)	PACK SIZE	SHIP WT. LBS
8 004AT1S	SOLARHOOK FLAT SIDE MT AT1	\$ 11.75	30	32.00
8 004ST1S	SOLARHOOK STONE COATED MT ST1	\$ 13.50	30	55.00
8 004AST1	SOLARHOOK ADJ STONE COATED ST1	\$ 18.98	30	32.00
8 P/N 009020S BND T-BOLT & NUT ATTACHES SIDEMOUNT HOOK TO RAIL; NO L-FOOT NEEDED				

KEY

SYMBOL	DESCRIPTION
--------	-------------

CLR	= CLEAR ANODIZED
DRK	= DARK BRONZE ANODIZED (BLACK)
MILL	= MILL FINISH ALUMINUM
AL	= ALUMINUM
STL	= ZINC PLATED STEEL

STANDOFFS & FLASHINGS

ROOF ATTACHMENTS - TWO-PIECE AL. STANDOFFS (LAG BOLTS NOT INCLUDED)

P/N	DESCRIPTION	LIST PRICE (EA)	PACK SIZE	SHIP WT. LBS
004300M	STANDOFF 3" 2 PIECE AL, MILL	\$ 13.00	24	15.00
004300D	STANDOFF 3" 2 PIECE AL, DRK	\$ 13.64	24	15.00
004400M	STANDOFF 4" 2 PIECE AL, MILL	\$ 14.10	24	17.00
004400D	STANDOFF 4" 2 PIECE AL, DRK	\$ 14.92	24	17.00
004600M	STANDOFF 6" 2 PIECE AL, MILL	\$ 16.39	24	21.00
004600D	STANDOFF 6" 2 PIECE AL, DRK	\$ 17.22	24	21.00
004700M	STANDOFF 7" 2 PIECE AL, MILL	\$ 17.68	24	23.00
004700D	STANDOFF 7" 2 PIECE AL, DRK	\$ 18.32	24	22.00

ROOF ATTACHMENTS - TWO-PIECE ALUMINUM STANDOFFS SPARE HARDWARE

P/N	DESCRIPTION	LIST PRICE (EA)	PACK SIZE	SHIP WT. LBS
330007M	AL STNDOFF 3/8" BOLT&EPDMWSHR	\$ 3.40	24	1.00

FLASHINGS - OATEY FLASHING FOR TWO-PIECE AL. STANDOFFS

P/N	DESCRIPTION	LIST PRICE (EA)	PACK SIZE	SHIP WT. LBS
004013C	FLASH SOFT AL 18X18 OATEY 12836	\$ 13.20	12	11.00
004015C	FLASHING 9X12 OATEY 12920 AL	\$ 9.57	12	5.00

9 FOR PITCHED ROOF UP TO 40 DEG. - NOT FOR HOT MOPPED OR BUILT-UP ROOF

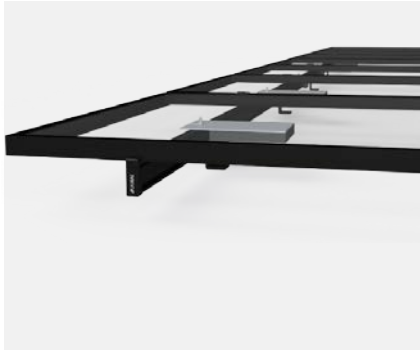
WHERE TO BUY

[CLICK HERE TO FIND A UNIRAC DISTRIBUTOR](#)

KEY

SYMBOL DESCRIPTION

CLR	= CLEAR ANODIZED
DRK	= DARK BRONZE ANODIZED (BLACK)
MILL	= MILL FINISH ALUMINUM
AL	= ALUMINUM
STL	= ZINC PLATED STEEL



[LEARN MORE / GET INFORMATION](#) (NEW)

[SOLARMOUNT \(SM\) PRODUCT PAGE](#)

[LAYOUT YOUR PROJECT IN SECONDS](#)

[GET A SM TILT QUOTE / BOM WITH U-BUILDER](#)

[WHERE TO BUY](#)

[CLICK HERE TO FIND A UNIRAC DISTRIBUTOR](#)

(NEW) FLASHKIT PRO

KEY

SYMBOL DESCRIPTION

DRK	= DARK BRONZE ANODIZED (BLACK)
MILL	= MILL FINISH ALUMINUM
UV	= UV RESISTANT PLASTIC BLACK
SS	= STAINLESS STEEL

GROUNDING, BONDING, WIRE MGMT

GROUNDING & BONDING HARDWARE

P/N	DESCRIPTION	LIST PRICE (EA)	PACK SIZE	SHIP WT. LBS
008002S	GROUND WEEBLUG #1	\$ 11.20	20	2.00
008009P	ILSCO LAY IN LUG (GBL4DBT)	\$ 10.00	20	2.00

WIRE MANAGEMENT

P/N	DESCRIPTION	LIST PRICE (EA)	PACK SIZE	SHIP WT. LBS
008003S	ONE WIRE CLIP, SS	\$ 0.40	500	3.00
008004S	TWO WIRE CLIP, SS	\$ 0.50	500	3.00
008017S	HEYCO SUNRUNNER 2-S CLIP	\$ 1.08	500	7
008018S	HEYCO SUNRUNNER 4-2U CLIP	\$ 1.34	500	6

SOLARMOUNT INTEGRATED BONDING MICROINVERTER MOUNT

P/N	DESCRIPTION	LIST PRICE (EA)	PACK SIZE	SHIP WT. LBS
008013S	MICRO MNT BND T-BOLT ¼"X¾" SS	\$ 1.50	20	2.00

OPTIONAL FRONT TRIM

SOLARMOUNT TRIM

P/N	DESCRIPTION	LIST PRICE (EA)	PACK SIZE	SHIP WT. LBS
008025S	SM TRIM END CLIP	\$ 1.50	10	0.10
206072D-B	SM TRIM 168" DRK 8PK	\$105.00	8	77.00

OPTIONAL TILT LEGS

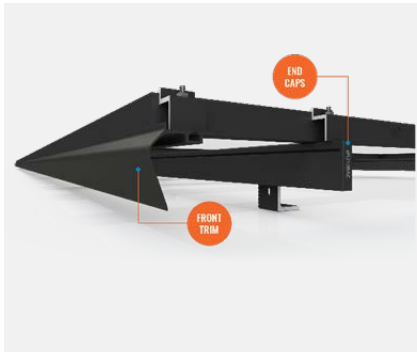
SOLARMOUNT ADJUSTABLE TILT LEGS - SINGLE LEG KIT (L-FEET NOT INCLUDED)

P/N	DESCRIPTION	LIST PRICE (EA)	PACK SIZE	SHIP WT. LBS
307107M	SM ADJ TILT LEG, 8-12", W/HDW	\$ 39.00	1	2.00
307115M	SM ADJ TILT LEG, 18-30", W/HDW	\$ 42.00	1	3.00
307120M	SM ADJ TILT LEG, 26-44", W/HDW	\$ 44.00	1	4.00
307134M	SM ADJ TILT LEG, 40-72", W/HDW	\$ 83.00	1	5.00

⑩ MOUNTING HOLE LOCATIONS ARE 1 IN. FROM EACH END OF TILT LEG(S)

⑪ INCLUDES EXTRA HEX HEAD BOLT W/ NUT FOR MOUNTING L-FOOT TO TILT LEG

⑫ COMPATIBLE WITH SM STANDARD & HD (SMHD) RAIL ONLY



OPTIONAL SOLARMOUNT TOP MOUNTING MODULE CLAMPS

SOLARMOUNT PRE-ASSEMBLED TOP MOUNTING ENDCLAMPS

P/N	DESCRIPTION	LIST PRICE (EA)	PACK SIZE	SHIP WT. LBS
302021C	SM ENDCLAMP B CLR AL	\$ 3.55	20	2.00
302021D	SM ENDCLAMP B DRK AL	\$ 4.00	20	2.00
302022C	SM ENDCLAMP C CLR AL	\$ 3.55	20	2.00
302022D	SM ENDCLAMP C DRK AL	\$ 4.00	20	2.00
302023C	SM ENDCLAMP D CLR AL	\$ 3.55	20	2.00
302023D	SM ENDCLAMP D DRK AL	\$ 4.00	20	2.00
302024C	SM ENDCLAMP E CLR AL	\$ 3.55	20	2.00
302024D	SM ENDCLAMP E DRK AL	\$ 4.00	20	2.00
302025C	SM ENDCLAMP F CLR AL	\$ 3.55	20	2.00
302025D	SM ENDCLAMP F DRK AL	\$ 4.00	20	2.00
302026C	SM ENDCLAMP K CLR AL	\$ 3.55	20	2.00
302026D	SM ENDCLAMP K DRK AL	\$ 4.00	20	2.00

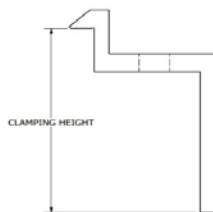
TOP MOUNTING CLAMP HEIGHT & BOLT LENGTH

LETTER	MODULE THICKNESS	BOLT LG	
B	30MM - 32MM	1.18IN - 1.26IN	2.00IN
C	33MM - 36MM	1.30IN - 1.42IN	2.00IN
D	38MM - 40MM	1.50IN - 1.57IN	2.25IN
K	39MM - 41MM	1.54IN - 1.61IN	2.25IN
F	45MM - 47MM	1.77IN - 1.85IN	2.50IN
E	50MM - 51MM	1.97IN - 2.00IN	2.50IN

SOLARMOUNT PRE-ASSEMBLED INTEGRATED BND TOP MOUNTING MIDCLAMPS

P/N	DESCRIPTION	LIST PRICE (EA)	PACK SIZE	SHIP WT. LBS
302027C	SM BND MIDCLAMP BC SS	\$ 4.15	20	2.00
302027D	SM BND MIDCLAMP BC DRK SS	\$ 5.00	20	2.00
302028C	SM BND MIDCLAMP EF SS	\$ 4.15	20	2.00
302028D	SM BND MIDCLAMP EF DRK SS	\$ 5.00	20	2.00
302029C	SM BND MID CLAMP DK SS	\$ 4.15	20	2.00
302029D	SM BND MID CLAMP DK DRK SS	\$ 5.00	20	2.00

CLAMP HEIGHT



SOLARMOUNT RAIL END CAPS FOR USE W/ TOP MOUNTING MID & ENDCLAMPS

P/N	DESCRIPTION	LIST PRICE (EA)	PACK SIZE	SHIP WT. LBS
309003P	SM RAIL END CAP, PRO UV-BLK	\$ 1.20	4	1.00

KEY

SYMBOL DESCRIPTION

AL	= ALUMINUM
CLR	= CLEAR ANODIZED
DRK	= DARK BRONZE ANODIZED
SS	= STAINLESS STEEL
DRK SS	= BLACK OXIDE COATED STAINLESS STEEL



[LEARN MORE / GET INFORMATION](#)

[SUNFRAME MICRORAIL \(SFM\) PRODUCT PAGE](#)

[LAYOUT YOUR PROJECT IN SECONDS](#)

[GET A SFM QUOTE / BOM WITH U-BUILDER](#)

[WHERE TO BUY](#)

[CLICK HERE TO FIND A UNIRAC DISTRIBUTOR](#)

SUNFRAME MICRORAIL (SFM) is a hybrid racking system including a structural front Trimrail™ for fastest array alignment and superior aesthetics. Minimize costs with compact packaging, pre-assembled parts, integrated bonding and one tool installation. Patented components provide post-install height adjustment and allow for removal of individual PV modules for maintenance.

COMPONENTS FOR USE WITH SFM FLASHKIT

SUNFRAME MICRORAIL ACCESSORIES

P/N	DESCRIPTION	LIST PRICE (EA)	PACK SIZE	SHIP WT. LBS
009040S	SFM TRINUT KIT	\$ 2.09	100	8.00
030027C	HDW LAG BOLT, 5/16 X 4	\$ 0.79	50	4.00
030040C	STRUCTURAL SCREW 5/16 X 4 SS	\$ 1.00	50	3.50
009030S	UNIRAC 1/4 HEX TOOL	\$ 5.00	10	1.00

SUNFRAME MICRORAIL 3" MICRORAIL COMPONENTS (PRE-ASSEMBLED)

P/N	DESCRIPTION	LIST PRICE (EA)	PACK SIZE	SHIP WT. LBS
230332R	SFM MICRO RAIL 3" 32MM	\$ 15.84	10	12.00
230333R	SFM MICRO RAIL 3" 33MM	\$ 15.84	10	12.00
230335R	SFM MICRO RAIL 3" 35MM	\$ 15.84	10	12.00
230338R	SFM MICRO RAIL 3" 38MM	\$ 15.84	10	12.00
230340R	SFM MICRO RAIL 3" 40MM	\$ 15.84	10	12.00
230346R	SFM MICRO RAIL 3" 46MM	\$ 15.84	10	12.00

SUNFRAME MICRORAIL 9" ATTACHED SPLICE (PRE-ASSEMBLED)

P/N	DESCRIPTION	LIST PRICE (EA)	PACK SIZE	SHIP WT. LBS
230932R	SFM ATT SPLICE 9" 32MM	\$ 30.68	10	17.00
230933R	SFM ATT SPLICE 9" 33MM	\$ 30.68	10	17.00
230935R	SFM ATT SPLICE 9" 35MM	\$ 30.68	10	17.00
230938R	SFM ATT SPLICE 9" 38MM	\$ 30.68	10	17.00
230940R	SFM ATT SPLICE 9" 40MM	\$ 30.68	10	17.00
230946R	SFM ATT SPLICE 9" 46MM	\$ 30.68	10	17.00

KEY

SYMBOL	DESCRIPTION
--------	-------------

CLR	= CLEAR ANODIZED
DRK	= DARK BRONZE ANODIZED (BLACK)
MILL	= MILL FINISH ALUMINUM
SS	= STAINLESS STEEL



[LEARN MORE / GET INFORMATION](#)
[SUNFRAME MICRORAIL \(SFM\) PRODUCT PAGE](#)

[LAYOUT YOUR PROJECT IN SECONDS](#)
[GET A SFM QUOTE / BOM WITH U-BUILDER](#)

[WHERE TO BUY](#)
[CLICK HERE TO FIND A UNIRAC DISTRIBUTOR](#)



NOW WITH SHED & SEAL TECHNOLOGY

KEY

SYMBOL	DESCRIPTION
CLR	= CLEAR ANODIZED
DRK	= DARK BRONZE ANODIZED (BLACK)
MILL	= MILL FINISH ALUMINUM

SUNFRAME MICRORAIL 9" SPLICE

P/N	DESCRIPTION	LIST PRICE (EA)	PACK SIZE	SHIP WT. LBS
230132R	SFM SPLICE 9" 32MM	\$ 22.78	10	28.00
230133R	SFM SPLICE 9" 33MM	\$ 22.78	10	28.00
230135R	SFM SPLICE 9" 35MM	\$ 22.78	10	28.00
230138R	SFM SPLICE 9" 38MM	\$ 22.78	10	28.00
230140R	SFM SPLICE 9" 40MM	\$ 22.78	10	28.00
230146R	SFM SPLICE 9" 46MM	\$ 22.78	10	28.00

SUNFRAME MICRORAIL TRIMRAIL, SPLICE & ROOF ATTACHMENT

P/N	DESCRIPTION	LIST PRICE (EA)	PACK SIZE	SHIP WT. LBS
240332R	SFM TRIMRAIL 66" 32MM DRK 4PK	\$ 78.92	4	32.00
240335R	SFM TRIMRAIL 66" 35MM DRK 4PK	\$ 78.92	4	33.00
240340R	SFM TRIMRAIL 66" 40MM DRK 4PK	\$ 78.92	4	34.00
240346R	SFM TRIMRAIL 66" 46MM DRK 4PK	\$ 78.92	4	35.00
240906D	SFM TRIM SPLICE DRK	\$ 8.66	10	4.00
240905C	SFM FLOATING TRIM CLIP	\$ 5.00	100	1.50

SUNFRAME MICRORAIL FLASHKITS (FEAT. SHED & SEAL TECHNOLOGY)

P/N	DESCRIPTION	LIST PRICE (EA)	PACK SIZE	SHIP WT. LBS
004070D	FLASHKIT SFM SLIDER COMP DARK	\$ 20.29	10	9.00
004080D	FLASHKIT SFM NRE COMP DARK	\$ 35.20	5	8.00
004100D	FLASHKIT SFM TRIM COMP DARK	\$ 28.90	10	10.00

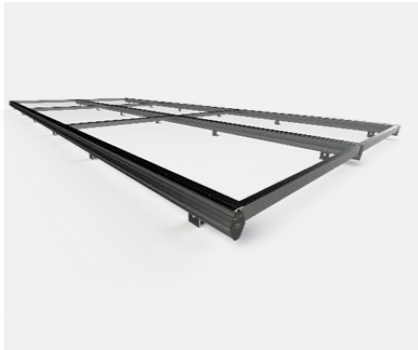
B FLASHKITS INCLUDE ATTACHMENT AND RESPECTIVE HARDWARE, PRE-INSTALLED GROMMET, FLASHING, AND STRUCTURAL SCREW

SUNFRAME MICRORAIL WIRE MANAGEMENT, MLPE MOUNT & ACCESSORIES

P/N	DESCRIPTION	LIST PRICE (EA)	PACK SIZE	SHIP WT. LBS
008114M	MLPE MOUNT ASSY	\$ 3.99	10	1.00
008017S	HEYCO SUNRUNNER 2-S CLIP	\$ 1.08	500	7.00
205000S	ENPHASE ENGAGE CABLE CLIP	\$ 2.65	100	4.00

SUNFRAME MICRORAIL GROUNDING & BONDING HARDWARE

P/N	DESCRIPTION	LIST PRICE (EA)	PACK SIZE	SHIP WT. LBS
008015S	WIRE BND CLIP	\$ 2.77	10	1.00
008002S	GROUND WEEB LUG #1	\$ 11.20	20	2.00
008009P	ILSCO LAY IN LUG (GBL4DBT)	\$ 10.00	20	2.00



SUNFRAME is a shared rail system with gap-free rows and boasts a sleek, low-profile design. The refined aesthetics are valued by discerning homeowners and architects for residential and commercial applications.

LEARN MORE / GET INFORMATION

[SUNFRAME \(SF\) PRODUCT PAGE](#)

LAYOUT YOUR PROJECT IN SECONDS

[GET A SF QUOTE /BOM WITH U-BUILDER](#)

WHERE TO BUY

[CLICK HERE TO FIND A UNIRAC DISTRIBUTOR](#)

SUNFRAME RAIL - BUNDLE OF 8 RAILS

P/N	DESCRIPTION	LIST PRICE (EA)	PACK SIZE	SHIP WT. LBS
210192C	SF RAIL 192", THREADED, CLR	\$171.62	8	153.00
210192D	SF RAIL 192", THREADED, DRK	\$197.62	8	153.00

SUNFRAME L-FEET, SPLICE BARS & SPLICE PLATE

P/N	DESCRIPTION	LIST PRICE (EA)	PACK SIZE	SHIP WT. LBS
202000D	SF ENDCAPS, THREADED, UV-BLACK	\$ 3.40	20	2.00
14 303001C	SF SPLICE BAR SERRATED CLR	\$ 5.90	20	9.00
14 303002D	SF SPLICE BAR SERRATED DRK	\$ 6.20	20	10.00
304001C	L-FOOT SERR W/ T-BOLT, CLR	\$ 4.35	20	5.00
304001D	L-FOOT SERR W/ T-BOLT, DRK	\$ 4.55	20	5.00

14 USE WITH SUNFRAME RAIL ONLY

SUNFRAME MISC. HARDWARE

P/N	DESCRIPTION	LIST PRICE (EA)	PACK SIZE	SHIP WT. LBS
330006S	SF SPLICE BAR TEK SCREW	\$ 0.65	80	1.00

14 USE WITH SUNFRAME RAIL ONLY

GROUNDING & BONDING HARDWARE

P/N	DESCRIPTION	LIST PRICE (EA)	PACK SIZE	SHIP WT. LBS
008002S	GROUND WEEBLUG #1	\$ 11.20	20	2.00
008009P	ILSCO LAY IN LUG (GBL4DBT)	\$ 10.00	20	2.00

WIRE MANAGEMENT

P/N	DESCRIPTION	LIST PRICE (EA)	PACK SIZE	SHIP WT. LBS
008003S	ONE WIRE CLIP, SS	\$ 0.40	500	3.00
008004S	TWO WIRE CLIP, SS	\$ 0.50	500	3.00
008017S	HEYCO SUNRUNNER 2-S CLIP	\$ 1.08	500	7

ACCESSORIES - ENPHASE ENGAGE CABLE CLIP

P/N	DESCRIPTION	LIST PRICE (EA)	PACK SIZE	SHIP WT. LBS
205000S	ENPHASE ENGAGE CABLE CLIP	\$2.65	100	4.00

KEY

SYMBOL DESCRIPTION

CLR	= CLEAR ANODIZED
DRK	= DARK BRONZE ANODIZED (BLACK)
AL	= MILL FINISH ALUMINUM



SUNFRAME CAPSTRIPS (CAPSTRIP SCREWS SOLD SEPARATELY)

P/N	DESCRIPTION	LIST PRICE (EA)	PACK SIZE	SHIP WT. LBS
202001C	SF CAPSTRIP, 192", C, CLR	\$ 52.62	8	40.00
202001D	SF CAPSTRIP, 192", C, DRK	\$ 60.25	8	40.00
202002C	SF CAPSTRIP, 192", D, CLR	\$ 52.62	8	36.00
202002D	SF CAPSTRIP, 192", D, DRK	\$ 60.25	8	36.00
202003C	SF CAPSTRIP, 192", E, CLR	\$ 60.25	8	44.00
202003D	SF CAPSTRIP, 192", E, DRK	\$ 72.50	8	44.00
202004C	SF CAPSTRIP, 192", F, CLR	\$ 58.75	8	42.00
202004D	SF CAPSTRIP, 192", F, DRK	\$ 70.12	8	42.00

CAP STRIP HEIGHT & SCREW LENGTH

LETTER	MODULE THICKNESS	SCREW LG
C	34MM - 36MM	1.34IN - 1.42IN
D	38MM - 40MM	1.50IN - 1.57IN
F	45MM - 47MM	1.77IN - 1.85IN
E	50MM - 52MM	1.97IN - 2.05IN

LEARN MORE / GET INFORMATION

[SUNFRAME \(SF\) PRODUCT PAGE](#)

LAYOUT YOUR PROJECT IN SECONDS

[GET A SF QUOTE / BOM WITH U-BUILDER](#)

WHERE TO BUY

[CLICK HERE TO FIND A UNIRAC DISTRIBUTOR](#)

SUNFRAME CAPSTRIP SCREWS

P/N	DESCRIPTION	LIST PRICE (EA)	PACK SIZE	SHIP WT. LBS
209000C	SF CAP SCREW, 1/4 X 3/4" CLR	\$ 0.69	100	2.00
209000D	SF CAP SCREW, 1/4 X 3/4" DRK	\$ 0.93	100	2.00
209001C	SF CAP SCREW, 1/4 X 1", CLR	\$ 0.76	100	2.00
209001D	SF CAP SCREW, 1/4 X 1", DRK	\$ 1.01	100	2.00
209002C	SF CAP SCREW, 1/4 X 1.25", CLR	\$ 0.83	100	2.00
209002D	SF CAP SCREW, 1/4 X 1.25", DRK	\$ 1.08	100	2.00

KEY

SYMBOL DESCRIPTION

CLR = CLEAR ANODIZED

DRK = DARK BRONZE ANODIZED (BLACK)



The RM5 system provides unsurpassed adaptability and layout flexibility with 5 degree tilt. Row spacing options of 7.5 IN. or 11 IN. give you the ability to maximize array layout and increase project energy production. Wind deflectors provide ballast reduction and fire mitigation to reduce overall system weight on the roof to meet a variety of project requirements.

LEARN MORE / GET INFORMATION

[ROOFMOUNT \(RM5\) PRODUCT PAGE](#)

LAYOUT YOUR PROJECT IN SECONDS

[GET A RM5 QUOTE / BOM WITH U-BUILDER](#)

WHERE TO BUY

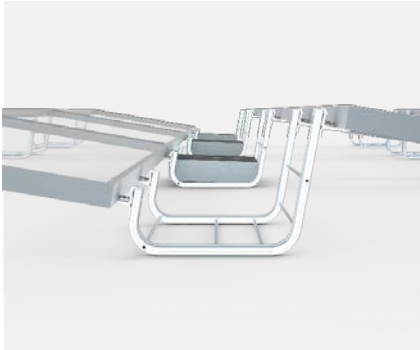
[CLICK HERE TO FIND A UNIRAC DISTRIBUTOR](#)

ROOFMOUNT - RM5 BAY, CLAMPS, HDWR, WIRE MGT. & ATTACHMENT

P/N	DESCRIPTION	LIST PRICE (EA)	PACK SIZE	SHIP WT. LBS
310800	RM5 BAY	\$ 49.50	200	1435.00
310803	RM5 BAY, PVC	\$ 54.20	200	1435.00
310810	RM5 WIND DEFLECTOR, 84"	\$ 26.20	60	385.00
310820	RM5/DT ENDCLAMP 32-40MM	\$ 3.60	20	5.50
310821	RM5/DT ENDCLAMP 41-45MM	\$ 3.60	20	5.50
310822	RM5/DT ENDCLAMP 46-50MM	\$ 3.60	20	5.50
310830	RM5/DT PVC ROOF FRICTION PATCH	\$ 0.65	500	5.00
310850	RM5/DT WIRE MGMT CLIP	\$ 1.80	20	1.00
310851	RM5 WD WIRE MGMT CLIP	\$ 1.50	20	1.00
310860	RM5/DT 1/4-20 CLIP U-NUT SS18-8	\$ 0.60	20	1.00
310861	RM5, WIND DEFLECTOR HDW KIT	\$ 0.39	20	1.00
310882	RM5/DT H-ATTACHMENT KIT	\$ 44.40	1	6.00

MLPE MOUNT, ACCESSORIES & GROUNDING / BONDING HARDWARE

P/N	DESCRIPTION	LIST PRICE (EA)	PACK SIZE	SHIP WT. LBS
008114M	MLPE MOUNT ASSY	\$ 3.99	10	1.00
205000S	ENPHASE ENGAGE CABLE CLIP	\$ 2.65	100	4.00
008002S	GROUND WEEBLUG #1	\$ 11.20	20	2.00
008009P	ILSCO LAY IN LUG (GBL4DBT)	\$ 10.00	20	2.00



RM10 introduced the Power of Simplicity to the ballasted flat roof solar industry. The system consists of only two major components, minimizing preparation work and installation time with one tool assembly. Seamlessly design around roof obstacles, support most framed modules and bond the system with just the turn of a wrench.

[LEARN MORE / GET INFORMATION](#)

[ROOFMOUNT \(RM10\) PRODUCT PAGE](#)

[LAYOUT YOUR PROJECT IN SECONDS \(NEW\)](#)

[GET A RM10 QUOTE / BOM WITH U-BUILDER](#)

ROOFMOUNT - RM10 BALLAST BAY, CLAMPS, BOLT & ROOF PAD

P/N	DESCRIPTION	LIST PRICE (EA)	PACK SIZE	SHIP WT. LBS
310710	RM10 BAY	\$ 81.20	100	325.00
310749	RM10 MODULE CLIP W/HEX BOLT	\$ 3.50	20	5.00
310750	RM10 MODULE CLIP BULK PK	\$ 2.15	200	35.50
310751	RM10 HEX BOLT BULK PK	\$ 0.90	400	28.00
310760	RM10 ROOF PAD	\$ 4.25	200	34.50

MLPE MOUNT, ACCESSORIES & GROUNDING / BONDING HARDWARE

P/N	DESCRIPTION	LIST PRICE (EA)	PACK SIZE	SHIP WT. LBS
008114M	MLPE MOUNT ASSY	\$ 3.99	10	1.00
205000S	ENPHASE ENGAGE CABLE CLIP	\$ 2.65	100	4.00
008002S	GROUND WEEBLUG #1	\$ 11.20	20	2.00
008009P	ILSCO LAY IN LUG (GBL4DBT)	\$ 10.00	20	2.00
310771	RM10 ATTACHMENT KIT	\$ 20.00	1	2.50



Unirac's RMDT system maximizes energy density, with 8 degree dual tilt, allowing up to 33% more modules on the roof. The elimination of wind deflectors and fire skirts reduces part count and streamlines the system installation.

LEARN MORE / GET INFORMATION

[ROOFMOUNT \(RMDT\) PRODUCT PAGE](#)

LAYOUT YOUR PROJECT IN SECONDS

[GET A RMDT QUOTE / BOM WITH U-BUILDER](#)

WHERE TO BUY

[CLICK HERE TO FIND A UNIRAC DISTRIBUTOR](#)

ROOFMOUNT - RMDT BAY(S), CLAMPS, HDWR, WIRE MGT. & ATTACHMENT

P/N	DESCRIPTION	LIST PRICE (EA)	PACK SIZE	SHIP WT. LBS
310801	RMDT RIDGE BAY	\$ 54.50	150	1175.00
310802	RMDT VALLEY BAY	\$ 48.50	200	1125.00
310804	RMDT RIDGE BAY, PVC	\$ 73.70	150	1175.00
310805	RMDT VALLEY BAY, PVC	\$ 59.60	200	1125.00
310823	RMDT MIDCLAMP 46-50MM	\$ 3.90	20	5.50
310824	RMDT MIDCLAMP 41-45MM	\$ 3.90	20	5.50
310825	RMDT MIDCLAMP 36-40MM	\$ 3.90	20	5.50
310826	RMDT MIDCLAMP 32-35MM	\$ 3.90	20	5.50
310820	RM5/DT ENDCLAMP 32-40MM	\$ 3.60	20	5.50
310821	RM5/DT ENDCLAMP 41-45MM	\$ 3.60	20	5.50
310822	RM5/DT ENDCLAMP 46-50MM	\$ 3.60	20	5.50
310850	RM5/DT WIRE MGMT CLIP	\$ 1.80	20	1.00
310851	RM5 WD WIRE MGMT CLIP	\$ 1.50	20	1.00
310860	RM5/DT 1/4-20 CLIP U-NUT SS18-8	\$ 0.60	20	1.00
310882	RM5/DT H-ATTACHMENT KIT	\$ 44.40	1	6.00

MLPE MOUNT, ACCESSORIES & GROUNDING / BONDING HARDWARE

P/N	DESCRIPTION	LIST PRICE (EA)	PACK SIZE	SHIP WT. LBS
008114M	MLPE MOUNT ASSY	\$ 3.99	10	1.00
205000S	ENPHASE ENGAGE CABLE CLIP	\$ 2.65	100	4.00
008002S	GROUND WEEBLUG #1	\$ 11.20	20	2.00
008009P	ILSCO LAY IN LUG (GBL4DBT)	\$ 10.00	20	2.00

GROUND FIXED TILT



Ground Fixed Tilt (GFT) is an engineered system of standard, light weight ground mount components that is in stock and ready to ship from North America's largest ground mount distribution network. Unirac's unmatched commercial project support makes construction easy, from permitting through installation, including region-specific engineering. GFT's refined solution, including a new shared Rail design, delivers enhanced system and labor optimization. Plus, enjoy peace of mind with SOLARMOUNT Mounting Technology and Unirac's industry-leading 25-year warranty.

[LEARN MORE / GET INFORMATION](#)
GROUND FIXED TILT (GFT) PRODUCT PAGE

[SUBMIT FOR A QUOTE](#)
GET A GFT PROJECT QUOTE /BOM

[WHERE TO BUY](#)
CLICK HERE TO FIND A UNIRAC DISTRIBUTOR

GFT C-PILES

P/N	DESCRIPTION	LIST PRICE (EA)	PACK SIZE	SHIP WT. LBS
404001	GFT C-PILE, 12.5'	\$220.00	30	2400.00
404002	GFT C-PILE, 15.0'	\$265.00	30	2910.00

COMPATIBLE WITH CONVENTIONAL AND SHARED RAIL DESIGNS

GFT TOP CHORDS AND BRACES

P/N	DESCRIPTION	LIST PRICE (EA)	PACK SIZE	SHIP WT. LBS
404010	GFT TOP CHORD CHANNEL 20/30	\$111.75	30	1050.00
404011	GFT DIAG BRACE ASSEMBLY 20D	\$107.50	30	810.00
404012	GFT DIAG BRACE ASSEMBLY 30D	\$107.50	30	810.00
404013	KIT, GFT ASSEMBLY HARDWARE	30.75	30	90.00

(NEW) GFT TOP CHORDS AND BRACES FOR SHARED RAIL DESIGNS

P/N	DESCRIPTION	LIST PRICE (EA)	PACK SIZE	SHIP WT. LBS
404030	GFT TOP CHORD CHANNEL 20/30 SR	\$111.75	30	870.00
404031	GFT DIAG BRACE ASSEMBLY 20D SR	\$107.50	30	630.00
404032	GFT DIAG BRACE ASSEMBLY 30D SR	\$107.50	30	750.00
404034	KIT, GFT ASSEMBLY HARDWARE SR	30.75	30	90.00

GFT RAIL

P/N	DESCRIPTION	LIST PRICE (EA)	PACK SIZE	SHIP WT. LBS
411166M	GFT RAIL 166" MILL	\$ 95.00	60	840.00
411246M	GFT RAIL 246" MILL	\$140.00	60	1200.00

COMPATIBLE WITH CONVENTIONAL AND SHARED RAIL DESIGNS

GFT ACCESSORIES

P/N	DESCRIPTION	LIST PRICE (EA)	PACK SIZE	SHIP WT. LBS
404014	KIT, GFT RAIL SPLICE W/ HDWR	\$ 20.00	60	180.00
404015	GFT WIRE MANAGEMENT CLIP	\$ 2.15	100	5.00

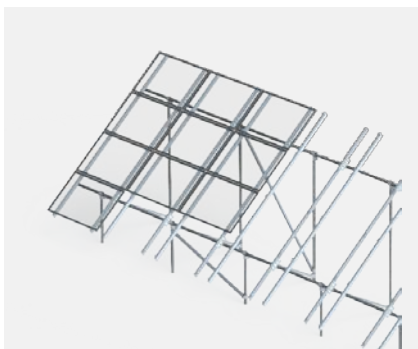
COMPATIBLE WITH CONVENTIONAL AND SHARED RAIL DESIGNS

KEY

SYMBOL DESCRIPTION

AL = MILL FINISH ALUMINUM

STL = ZINC PLATED STEEL



UNIRAC LARGE ARRAY (ULA) supports a wider range of site and climatic challenges than any other PV structure on the market. ULA aluminum components merge with SOLARMOUNT rails and installer-supplied steel pipe to form durable, rigid truss structures. ULA has the flexibility for any size project.

ULA COMPONENTS FOR 2 IN. ID SCHEDULE 40/80 PIPE

P/N	DESCRIPTION	LIST PRICE (EA)	PACK SIZE	SHIP WT. LBS
403200C	ULA BRACE, 2"@ 7 FT, AL	\$ 71.40	1	10.00
403201C	ULA BRACE, 2"@ 10.5 FT, AL	\$103.95	1	16.00
403202C	ULA BRACE, 2"@ 14 FT, AL	\$135.45	1	21.00
403211C	ULA FRONT CAP, 2", AL	\$ 45.15	1	2.00
403213C	ULA RAIL BRACKET, 2", AL	\$ 19.94	1	2.00
403214C	ULA REAR CAP, 2", AL	\$ 45.15	1	2.00
403215C	ULA SLIDER, 2", AL	\$ 21.50	1	1.00
403216S	ULA THREADED FOOT, 2", STL	\$ 43.05	1	2.00

SEE SOLARMOUNT

FOR RAILS, CLAMPS & BONDING COMPONENTS
PAGES 3, 4, 5 & 6

LEARN MORE / GET INFORMATION

[UNIRAC LARGE ARRAY \(ULA\) PRODUCT PAGE](#)

SUBMIT FOR A QUOTE

[GET A ULA PROJECT QUOTE /BOM](#)

WHERE TO BUY

[CLICK HERE TO FIND A UNIRAC DISTRIBUTOR](#)

KEY

SYMBOL	DESCRIPTION
--------	-------------

AL	= MILL FINISH ALUMINUM
----	------------------------

STL	= ZINC PLATED STEEL
-----	---------------------