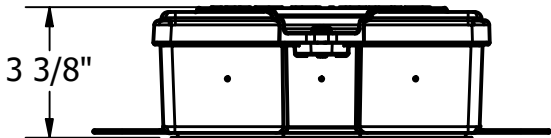
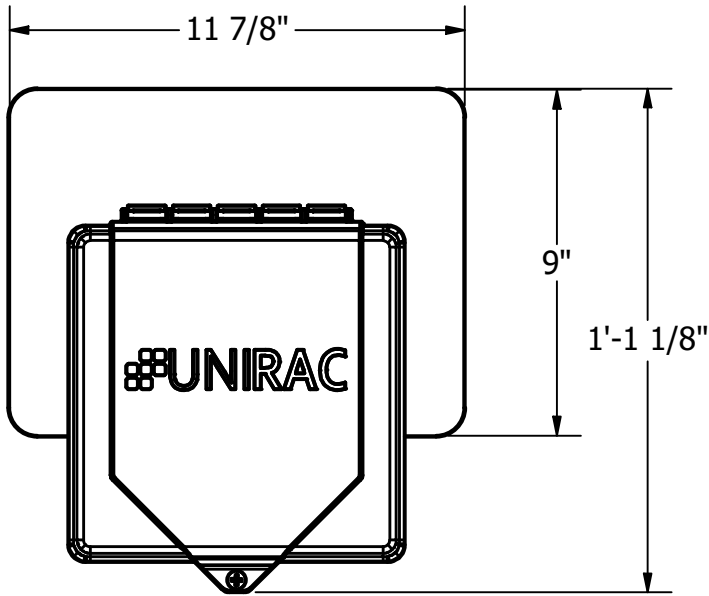
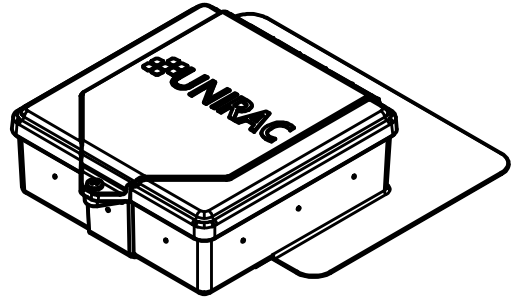


PART # TABLE	
P/N	DESCRIPTION
SBOXCOMP-D	SOLOBOX COMP W/ DIN RAIL



SEE ALSO SHEET EB-A06A

UNIRAC

1411 BROADWAY BLVD. NE
ALBUQUERQUE, NM 87102 USA
PHONE: 505.242.6411
WWW.UNIRAC.COM

PRODUCT LINE:	E-BOSS
DRAWING TYPE:	PARTS ASSEMBLY
DESCRIPTION:	SOLOBOX COMP
REVISION DATE:	10/16/2025

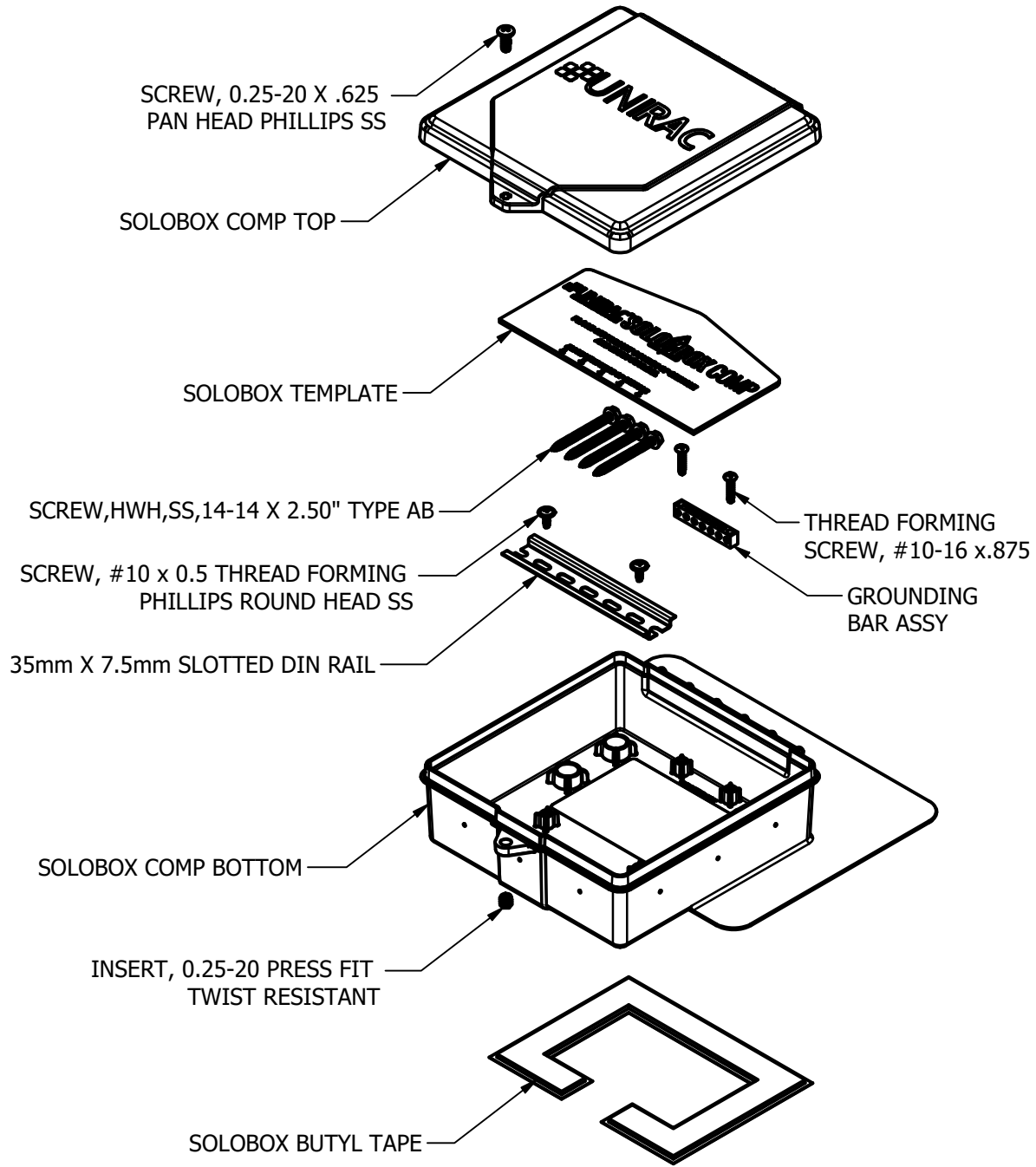
DRAWING NOT TO SCALE
ALL DIMENSIONS ARE
NOMINAL

PRODUCT PROTECTED BY
ONE OR MORE US PATENTS
LEGAL NOTICE

EB-A06

SHEET

PART # TABLE	
P/N	DESCRIPTION
SBOXCOMP-D	SOLOBOX COMP W/ DIN RAIL



SEE ALSO SHEET EB-A06

UNIRAC

1411 BROADWAY BLVD. NE
ALBUQUERQUE, NM 87102 USA
PHONE: 505.242.6411
WWW.UNIRAC.COM

PRODUCT LINE:	E-BOSS
DRAWING TYPE:	PARTS ASSEMBLY
DESCRIPTION:	SOLOBOX COMP
REVISION DATE:	10/16/2025

DRAWING NOT TO SCALE
ALL DIMENSIONS ARE
NOMINAL

PRODUCT PROTECTED BY
ONE OR MORE US PATENTS
LEGAL NOTICE

EB-A06A

SHEET