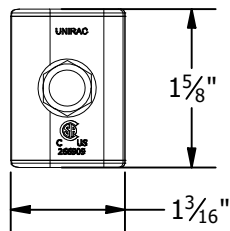
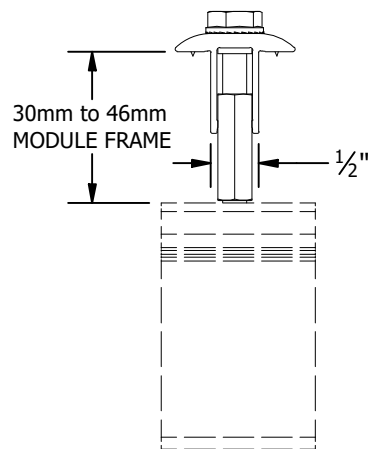
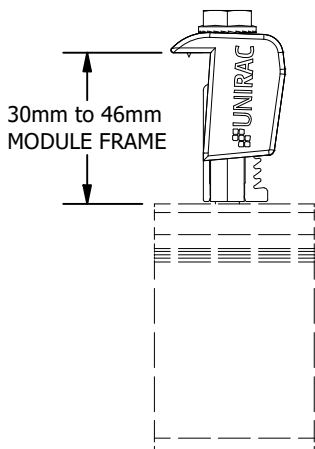
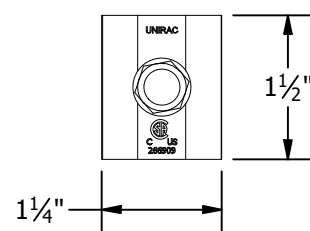


PART # TABLE	
P/N	DESCRIPTION
302045M	UNIVERSAL AF MID CLAMP - MILL
302045D	UNIVERSAL AF MID CLAMP - DRK
302050M	UNIVERSAL AF END CLAMP - MILL
302050D	UNIVERSAL AF END CLAMP - DRK

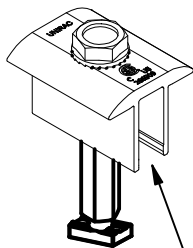
UNIVERSAL AF
END CLAMP



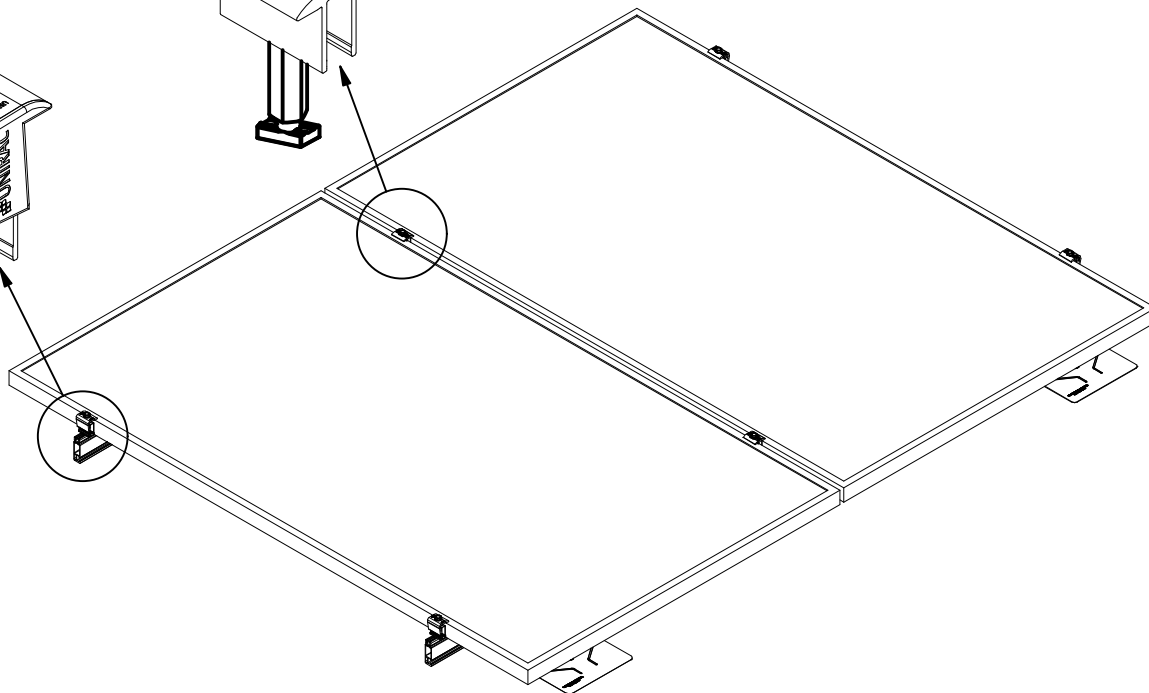
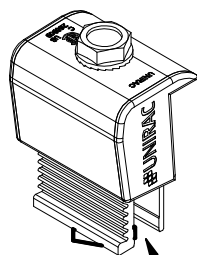
UNIVERSAL AF
MID CLAMP



UNIVERSAL
MID CLAMP



UNIVERSAL
END CLAMP



1411 BROADWAY BLVD. NE
ALBUQUERQUE, NM 87102 USA
PHONE: 505.242.6411
WWW.UNIRAC.COM

PRODUCT LINE:	SOLARMOUNT
DRAWING TYPE:	PART & ASSEMBLY
DESCRIPTION:	UNIVERSAL AF CLAMPS
REVISION DATE:	10/13/2025

DRAWING NOT TO SCALE
ALL DIMENSIONS ARE
NOMINAL

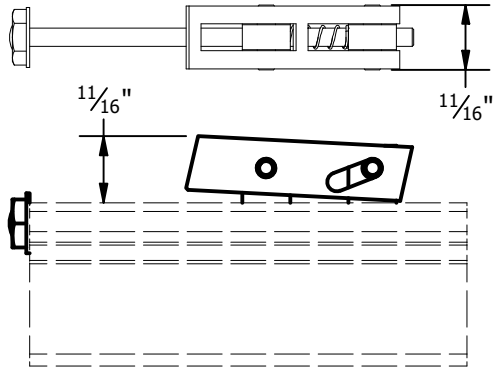
PRODUCT PROTECTED BY
ONE OR MORE US PATENTS

LEGAL NOTICE

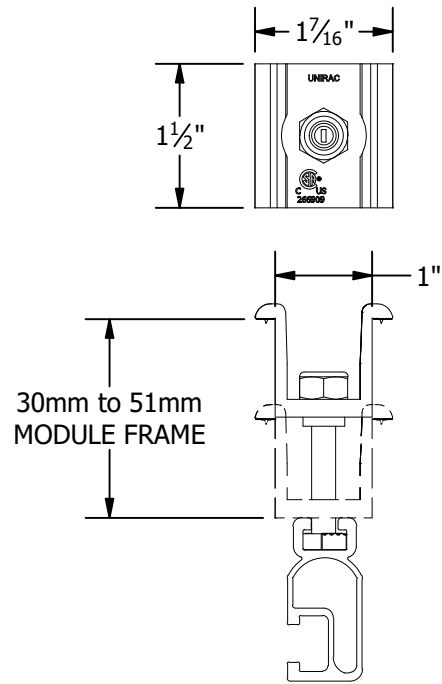
SM-A01B

SHEET

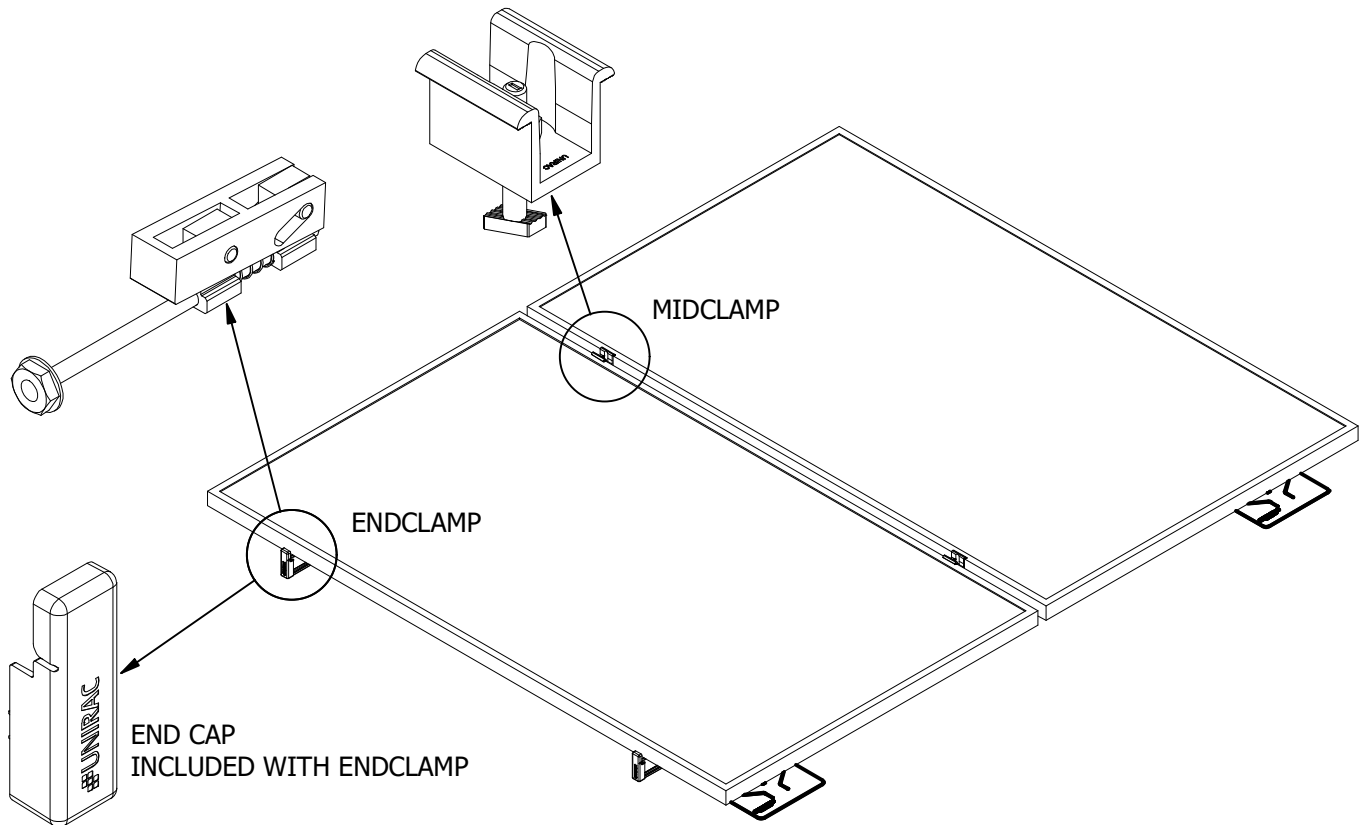
PRO SERIES ENDCLAMP



PRO SERIES MIDCLAMP



PART # TABLE	
P/N	DESCRIPTION
302035M	ENDCLAMP PRO
302030M	MIDCLAMP PRO - MILL
302030D	MIDCLAMP PRO - DRK



1411 BROADWAY BLVD. NE
ALBUQUERQUE, NM 87102 USA
PHONE: 505.242.6411
WWW.UNIRAC.COM

PRODUCT LINE:	SOLARMOUNT
DRAWING TYPE:	PART & ASSEMBLY
DESCRIPTION:	PRO SERIES BONDING CLAMPS
REVISION DATE:	10/13/2025

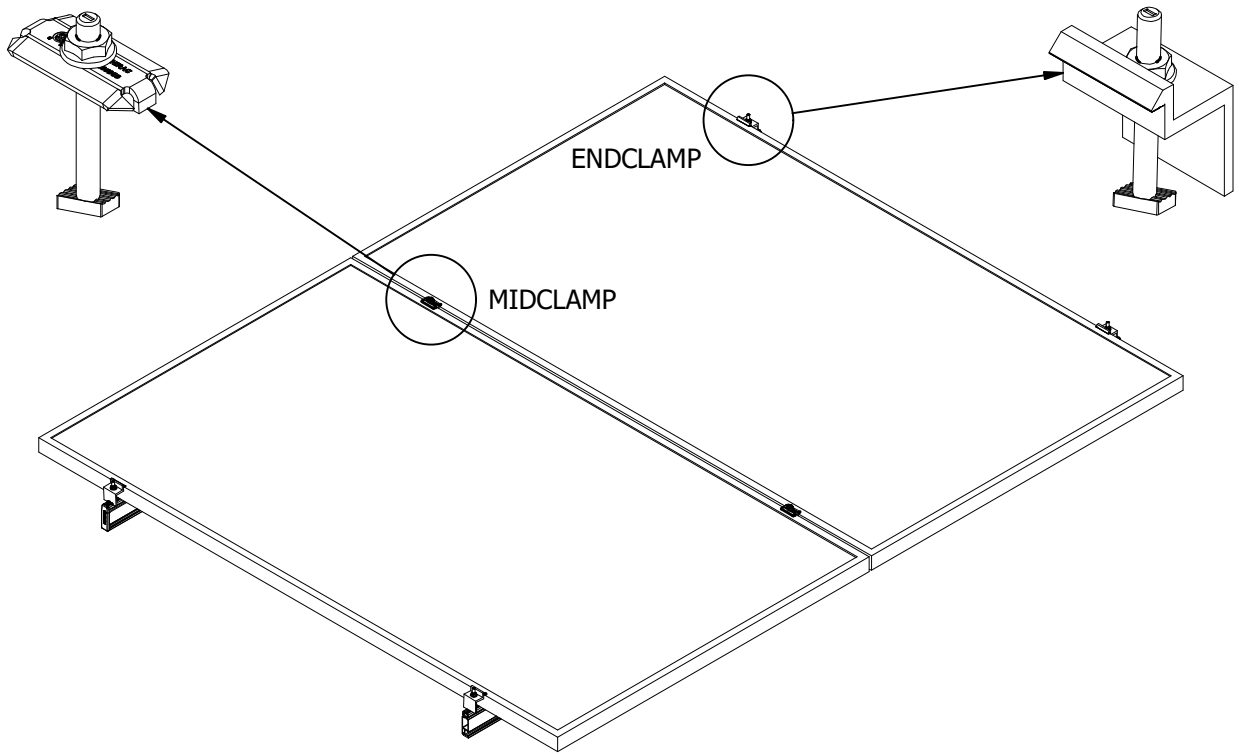
DRAWING NOT TO SCALE
ALL DIMENSIONS ARE NOMINAL

PRODUCT PROTECTED BY ONE OR MORE US PATENTS

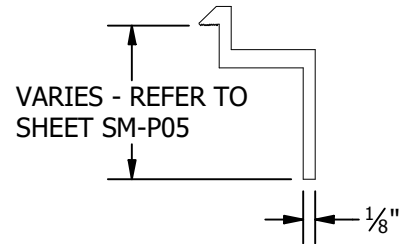
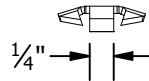
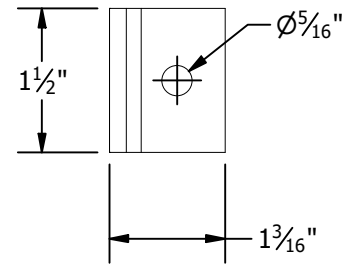
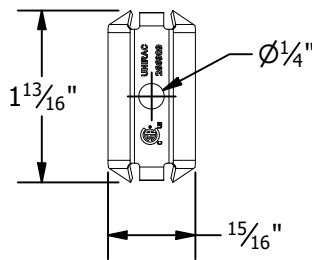
LEGAL NOTICE

SM-A01

SHEET



PART # TABLE	
P/N	DESCRIPTION
302027C	SM BND MIDCLAMP BC SS
302027D	SM BND MIDCLAMP BC DRK SS
302028C	SM BND MIDCLAMP EF SS
302028D	SM BND MIDCLAMP EF DRK SS
302029C	SM BND MIDCLAMP DK SS
302029D	SM BND MIDCLAMP DK DRK SS
	FOR TOP MOUNTING ENDCLAMPS REFER TO SHEET SM-P05



BONDING SM MIDCLAMP

TOP MOUNTING ENDCLAMP

UNIRAC

1411 BROADWAY BLVD. NE
ALBUQUERQUE, NM 87102 USA
PHONE: 505.242.6411
WWW.UNIRAC.COM

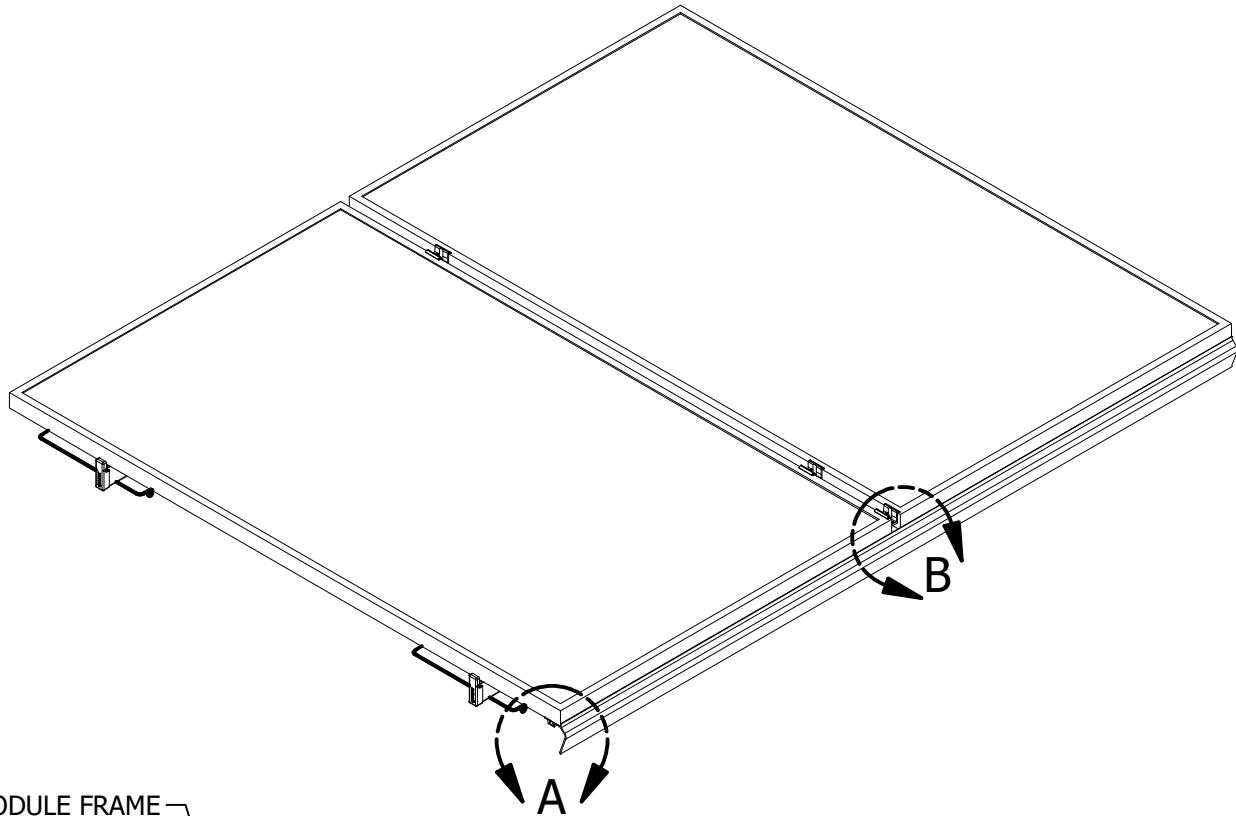
PRODUCT LINE:	SOLARMOUNT
DRAWING TYPE:	PART & ASSEMBLY
DESCRIPTION:	TOP MOUNTING CLAMPS
REVISION DATE:	10/13/2025

DRAWING NOT TO SCALE
ALL DIMENSIONS ARE
NOMINAL

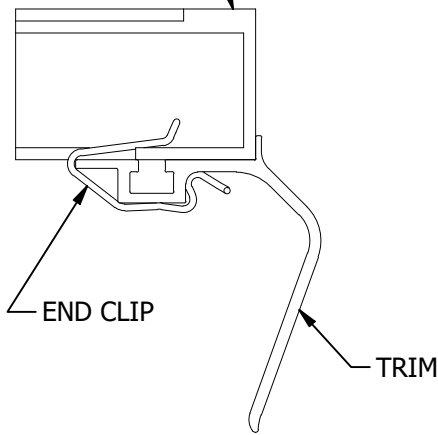
PRODUCT PROTECTED BY
ONE OR MORE US PATENTS
LEGAL NOTICE

SM-A01A

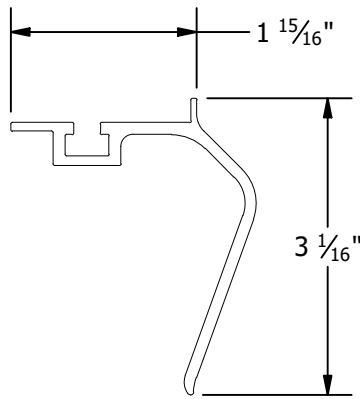
SHEET



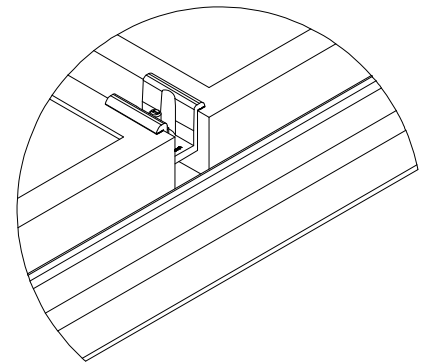
MODULE FRAME



DETAIL A
TRIM END CLIP



TRIM



DETAIL B
MID CLAMP TRIM CONNECTION

PART # TABLE		
P/N	DESCRIPTION	LENGTH
206072D-B	SM TRIM DRK	168"
008025S	SM TRIM END CLIP	-

UNIRAC

1411 BROADWAY BLVD. NE
ALBUQUERQUE, NM 87102 USA
PHONE: 505.242.6411
WWW.UNIRAC.COM

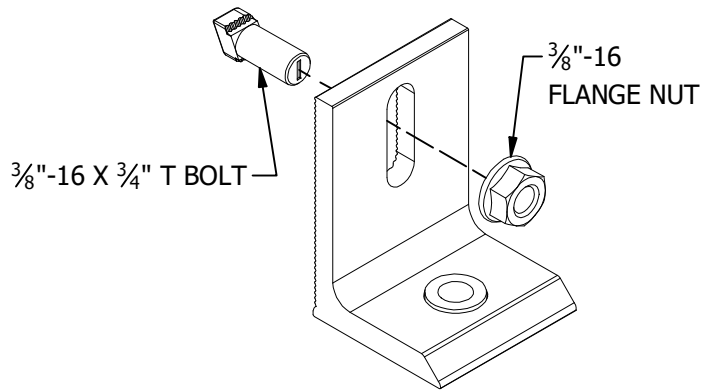
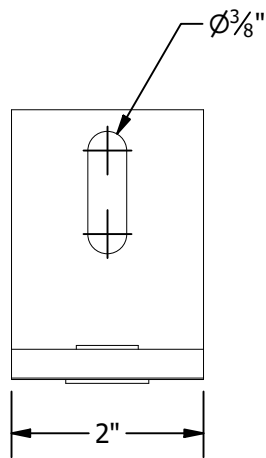
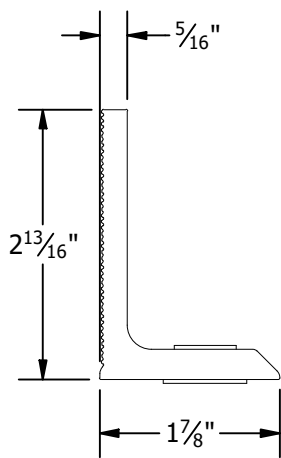
PRODUCT LINE:	SOLARMOUNT
DRAWING TYPE:	PART & ASSEMBLY
DESCRIPTION:	SM TRIM END CLIP
REVISION DATE:	10/13/2025

DRAWING NOT TO SCALE
ALL DIMENSIONS ARE
NOMINAL

PRODUCT PROTECTED BY
ONE OR MORE US PATENTS
LEGAL NOTICE

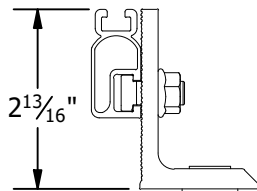
SM-A02

SHEET

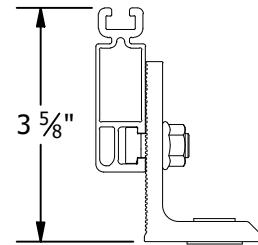


L-FOOT

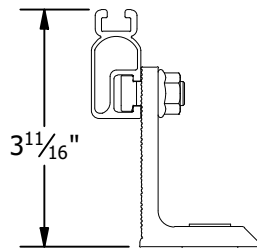
MINIMUM HEIGHT



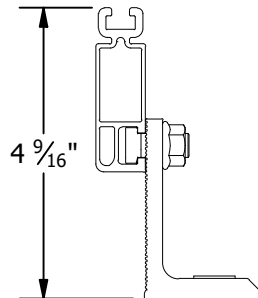
MINIMUM HEIGHT



MAXIMUM HEIGHT



MAXIMUM HEIGHT



SOLARMOUNT LIGHT ON L-FOOT

SOLARMOUNT STANDARD ON L-FOOT

UNIRAC

1411 BROADWAY BLVD. NE
ALBUQUERQUE, NM 87102 USA
PHONE: 505.242.6411
WWW.UNIRAC.COM

PRODUCT LINE:	SOLARMOUNT
DRAWING TYPE:	PART & ASSEMBLY
DESCRIPTION:	L-FOOT
REVISION DATE:	10/13/2025

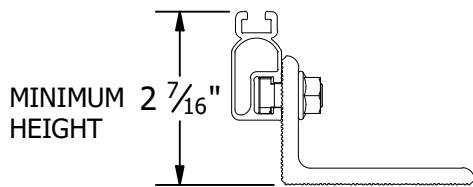
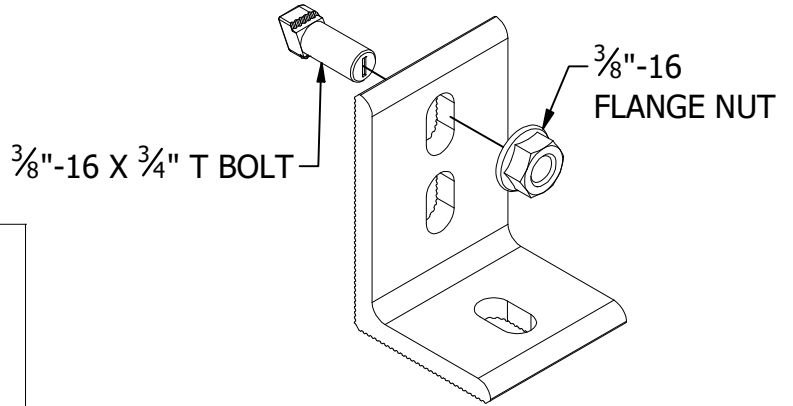
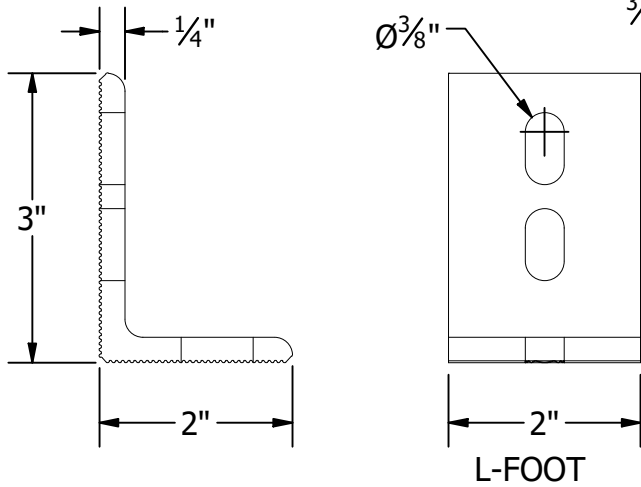
DRAWING NOT TO SCALE
ALL DIMENSIONS ARE
NOMINAL

PRODUCT PROTECTED BY
ONE OR MORE US PATENTS
LEGAL NOTICE

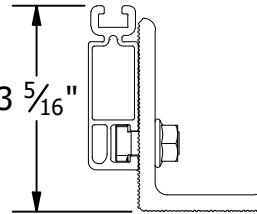
SM-A11

SHEET

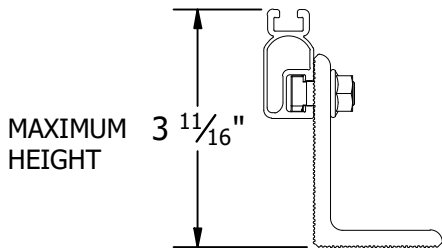
PART # TABLE	
P/N	DESCRIPTION
304001C	L-FOOT SERR W/T-BOLT CLR
304001D	L-FOOT SERR W/T-BOLT DRK



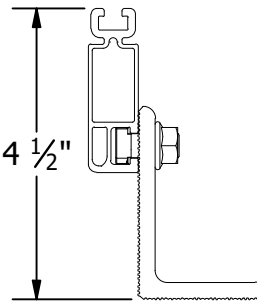
MINIMUM HEIGHT



MINIMUM HEIGHT



MAXIMUM HEIGHT



MAXIMUM HEIGHT

SOLARMOUNT LIGHT
ON L-FOOT

SOLARMOUNT STANDARD
ON L-FOOT

NOTES:

1. L-FOOT CAN BE INSTALLED IN TWO ORIENTATIONS, PLEASE REFER TO INSTRUCTIONS IN THE QUICK START GUIDE.

UNIRAC

1411 BROADWAY BLVD. NE
ALBUQUERQUE, NM 87102 USA
PHONE: 505.242.6411
WWW.UNIRAC.COM

PRODUCT LINE:	SOLARMOUNT
DRAWING TYPE:	PART & ASSEMBLY
DESCRIPTION:	L-FOOT
REVISION DATE:	10/13/2025

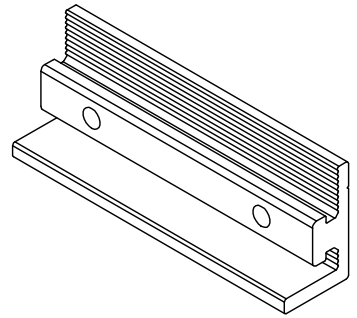
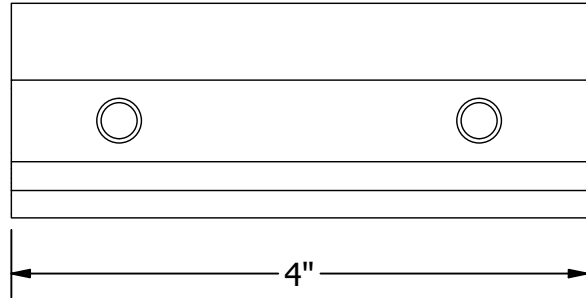
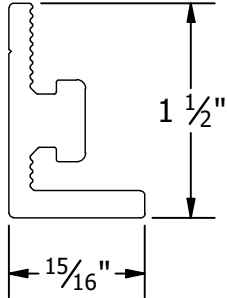
DRAWING NOT TO SCALE
ALL DIMENSIONS ARE
NOMINAL

PRODUCT PROTECTED BY
ONE OR MORE US PATENTS
LEGAL NOTICE

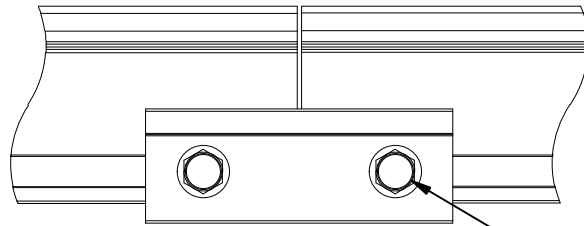
SM-A04

SHEET

PART # TABLE		
P/N -US	P/N	DESCRIPTION
303019M-US	303019M	BND SPLICE BAR PRO SERIES MILL
303019D-US	303019D	BND SPLICE BAR PRO SERIES DRK

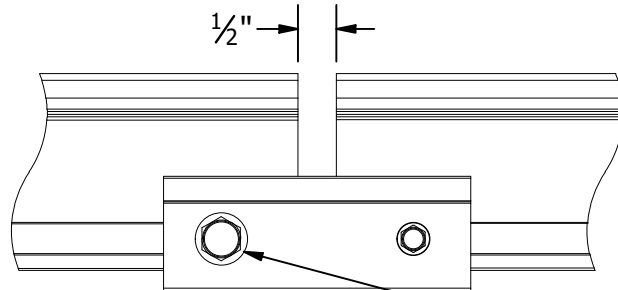


BONDING SPLICE BAR



TYPICAL SPLICE BAR DETAIL

5/16"-18 TYPE F THREAD CUTTING SCREWS INCLUDED



TYPICAL EXPANSION JOINT DETAIL

NOTE THAT ONLY 1 SCREW IS USED AT AN EXPANSION JOINT. THE SPLICE BAR DOES NOT BOND ACROSS AN EXPANSION JOINT. SEE INSTALLATION GUIDE FOR INSTRUCTION.

UNIRAC

1411 BROADWAY BLVD. NE
ALBUQUERQUE, NM 87102 USA
PHONE: 505.242.6411
WWW.UNIRAC.COM

PRODUCT LINE:	SOLARMOUNT
DRAWING TYPE:	PART & ASSEMBLY
DESCRIPTION:	BONDING SPLICE BAR PRO SERIES
REVISION DATE:	10/13/2025

DRAWING NOT TO SCALE
ALL DIMENSIONS ARE NOMINAL

PRODUCT PROTECTED BY ONE OR MORE US PATENTS

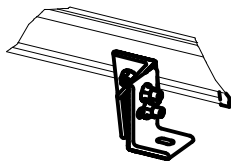
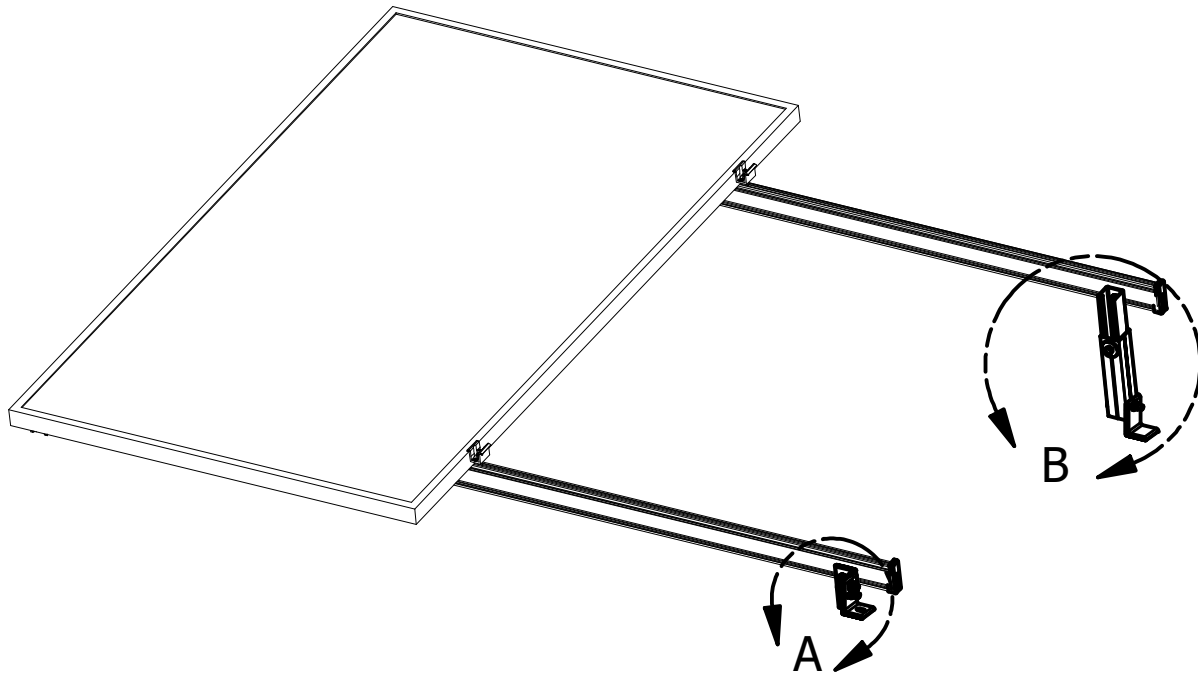
LEGAL NOTICE

SM-A05

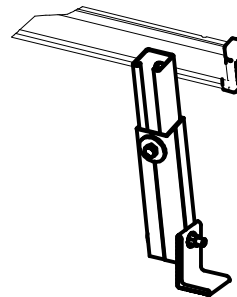
SHEET

NOTES:

1. SEE SM TILT INSTALLATION GUIDE FOR ASSEMBLY INSTRUCTIONS.



DETAIL A
FRONT L-FOOT ASSEMBLY



DETAIL B
REAR ADJUSTABLE TILT LEG ASSEMBLY
12IN AND 30IN REAR LEG SIZES AVAILABLE



1411 BROADWAY BLVD. NE
ALBUQUERQUE, NM 87102 USA
PHONE: 505.242.6411
WWW.UNIRAC.COM

PRODUCT LINE:	SOLARMOUNT TILT
DRAWING TYPE:	ASSEMBLY
DESCRIPTION:	LOW PROFILE TILT
REVISION DATE:	10/13/2025

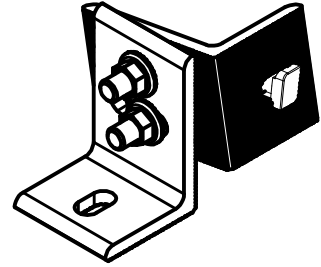
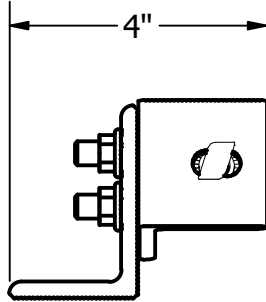
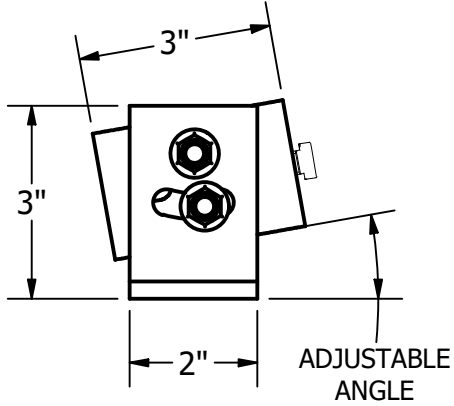
DRAWING NOT TO SCALE
ALL DIMENSIONS ARE
NOMINAL

PRODUCT PROTECTED BY
ONE OR MORE US PATENTS
LEGAL NOTICE

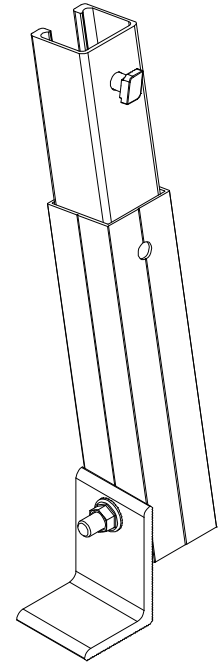
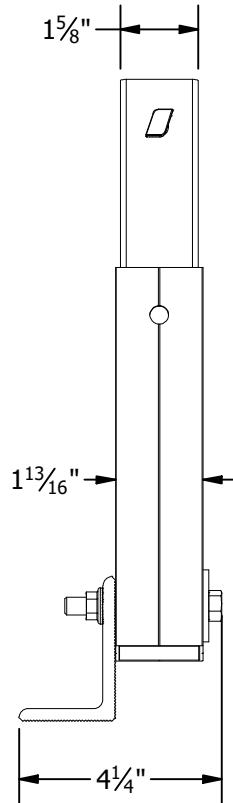
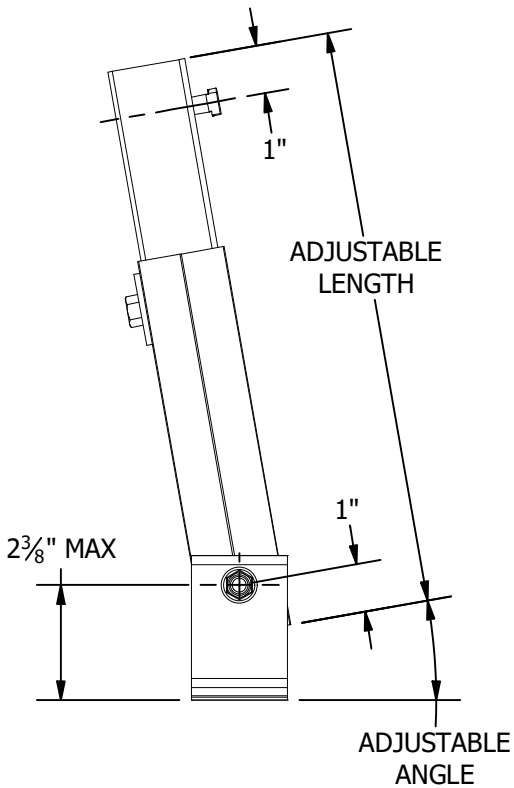
SM-A07

SHEET

PART # TABLE	
P/N	DESCRIPTION
SMTILTLEG12	SM ADJ TILT LEG, 12IN, W-HDW
SMTILTLEG30	SM ADJ TILT LEG, 30IN, W-HDW



L-FOOT ASSY
SCALE 1/3



LEG ASSY
SCALE 1 / 4

UNIRAC

1411 BROADWAY BLVD. NE
ALBUQUERQUE, NM 87102 USA
PHONE: 505.242.6411
WWW.UNIRAC.COM

PRODUCT LINE: SOLAR MOUNT

DRAWING TYPE: ASSEMBLY

DESCRIPTION: ADJUSTABLE
TILT LEGS

REVISION DATE: 10/13/2025

DRAWING NOT TO SCALE
ALL DIMENSIONS ARE
NOMINAL

PRODUCT PROTECTED BY
ONE OR MORE US PATENTS

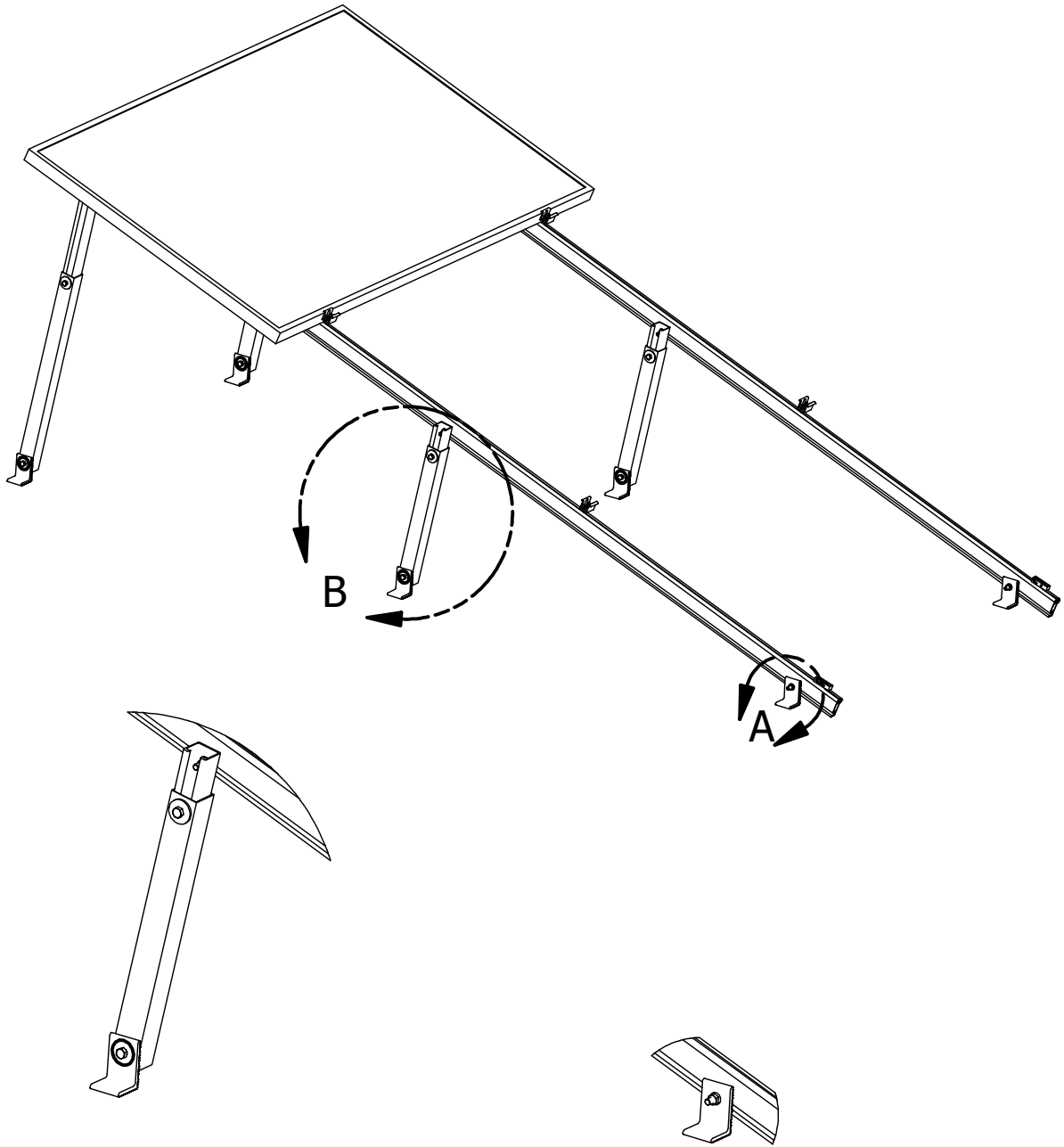
LEGAL NOTICE

SMTILT-01

SHEET

NOTES:

1. SEE SM TIH INSTALLATION GUIDE FOR ASSEMBLY INSTRUCTIONS.



DETAIL B
REAR TILT LEG

DETAIL A
L FOOT



1411 BROADWAY BLVD. NE
ALBUQUERQUE, NM 87102 USA
PHONE: 505.242.6411
WWW.UNIRAC.COM

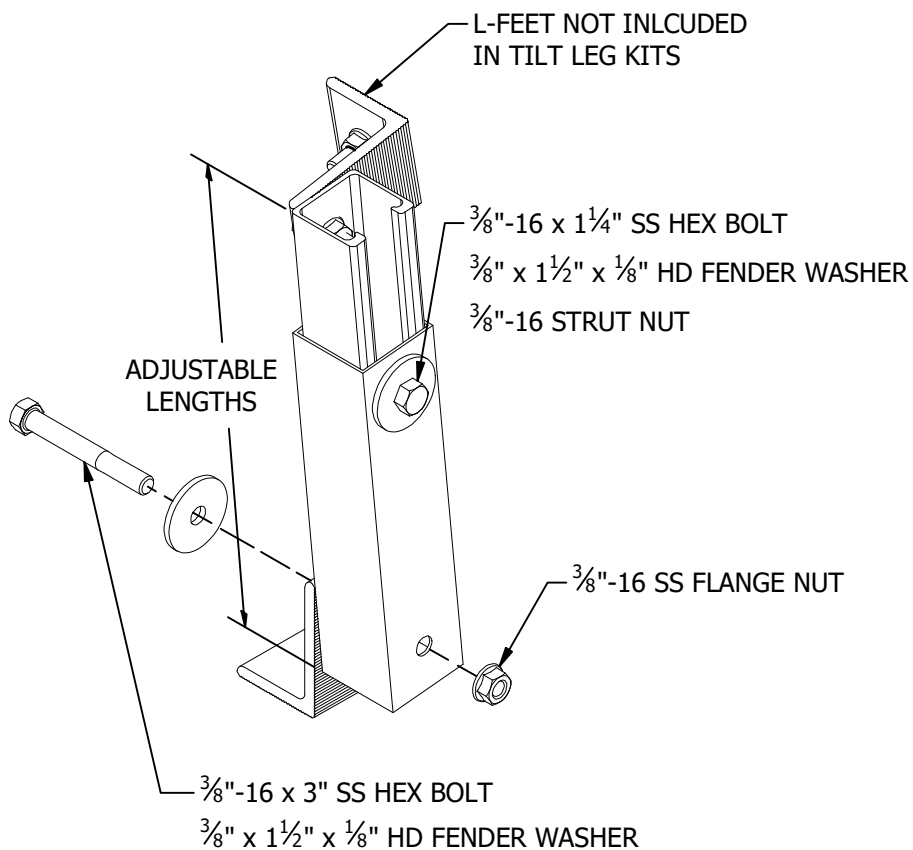
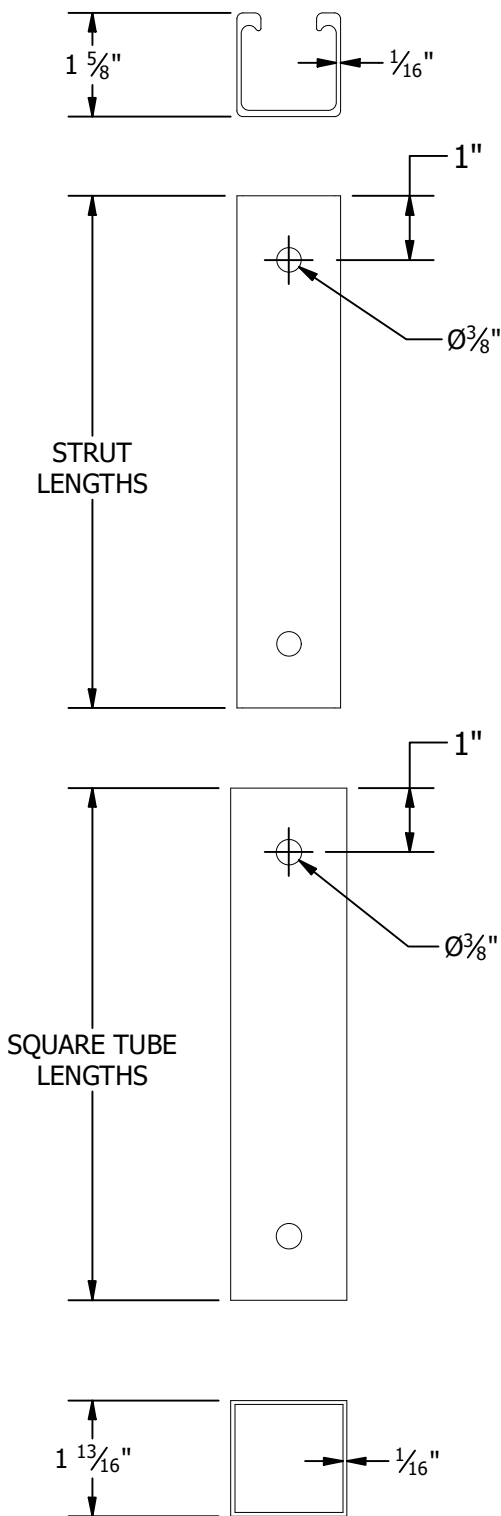
PRODUCT LINE:	SOLARMOUNT TILT
DRAWING TYPE:	ASSEMBLY
DESCRIPTION:	HIGH PROFILE TILT
REVISION DATE:	10/13/2025

DRAWING NOT TO SCALE
ALL DIMENSIONS ARE
NOMINAL

PRODUCT PROTECTED BY
ONE OR MORE US PATENTS
LEGAL NOTICE

SM-A08

SHEET



TILT LEG TABLE				
P/N	DESCRIPTION	TOTAL ADJUSTABLE LENGTHS	SQUARE TUBE	STRUT
307107M	SM ADJ TILT LEG, 8"-12", W/HDW	8" to 12"	8"	8"
307115M	SM ADJ TILT LEG, 18"-30", W/HDW	18" to 30"	18"	18"
307120M	SM ADJ TILT LEG, 26"-44", W/HDW	26" to 44"	26"	26"
307134M	SM ADJ TILT LEG, 40"-72", W/HDW	40" to 72"	40"	40"

UNIRAC

1411 BROADWAY BLVD. NE
ALBUQUERQUE, NM 87102 USA
PHONE: 505.242.6411
WWW.UNIRAC.COM

PRODUCT LINE:	SOLARMOUNT TILT
DRAWING TYPE:	ASSEMBLY
DESCRIPTION:	ADJUSTABLE TILT LEG
REVISION DATE:	10/13/2025

DRAWING NOT TO SCALE
ALL DIMENSIONS ARE
NOMINAL

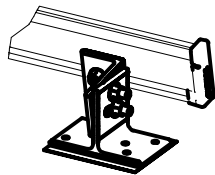
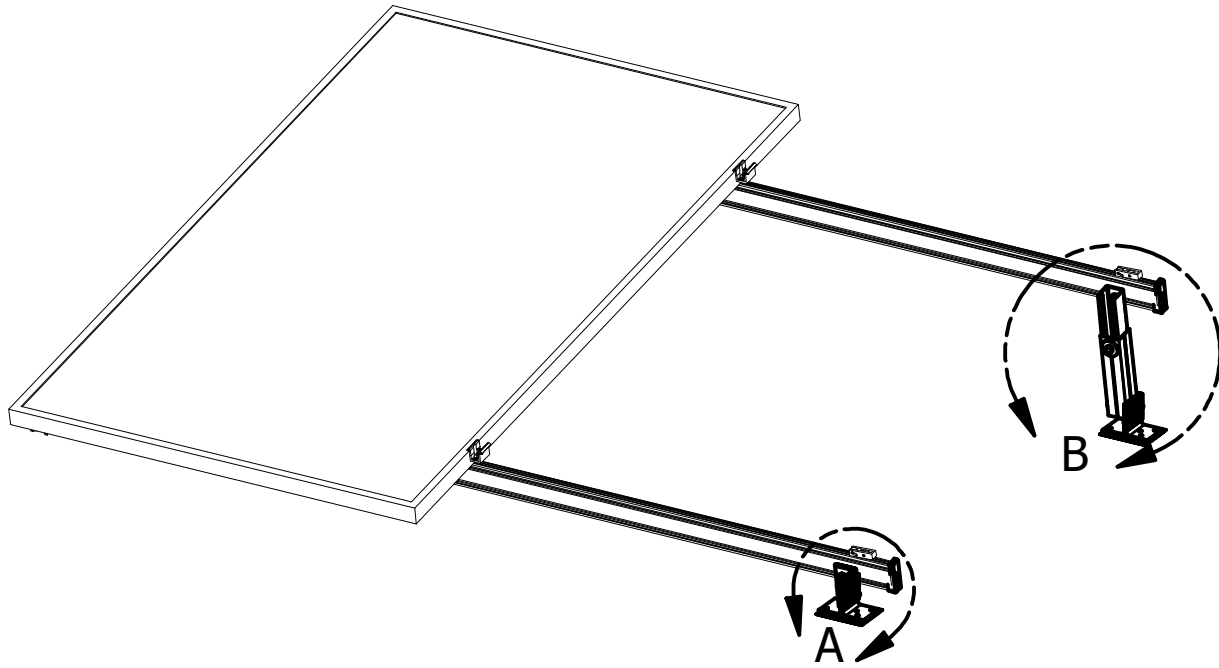
PRODUCT PROTECTED BY
ONE OR MORE US PATENTS
LEGAL NOTICE

SM-A09

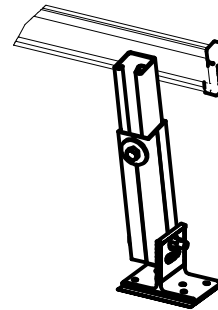
SHEET

NOTES:

1. SEE SM TILT INSTALLATION GUIDE FOR ASSEMBLY INSTRUCTIONS.



DETAIL A
FRONT L-FOOT ASSEMBLY



DETAIL B
REAR ADJUSTABLE TILT LEG ASSEMBLY
12IN AND 30IN REAR LEG SIZES AVAILABLE



1411 BROADWAY BLVD. NE
ALBUQUERQUE, NM 87102 USA
PHONE: 505.242.6411
WWW.UNIRAC.COM

PRODUCT LINE:	SOLARMOUNT TILT
DRAWING TYPE:	ASSEMBLY
DESCRIPTION:	LOW PROFILE TILT
REVISION DATE:	10/14/2025

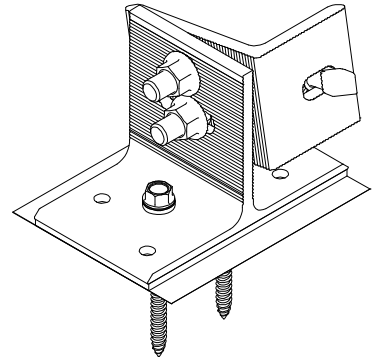
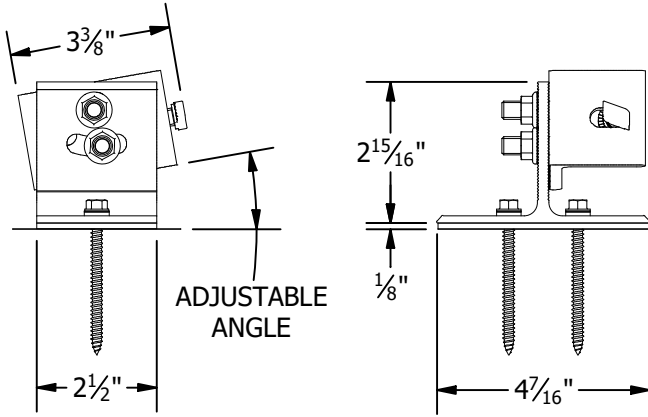
DRAWING NOT TO SCALE
ALL DIMENSIONS ARE
NOMINAL

PRODUCT PROTECTED BY
ONE OR MORE US PATENTS
LEGAL NOTICE

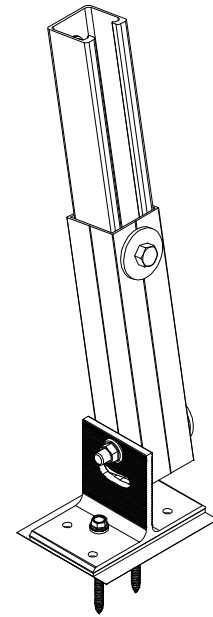
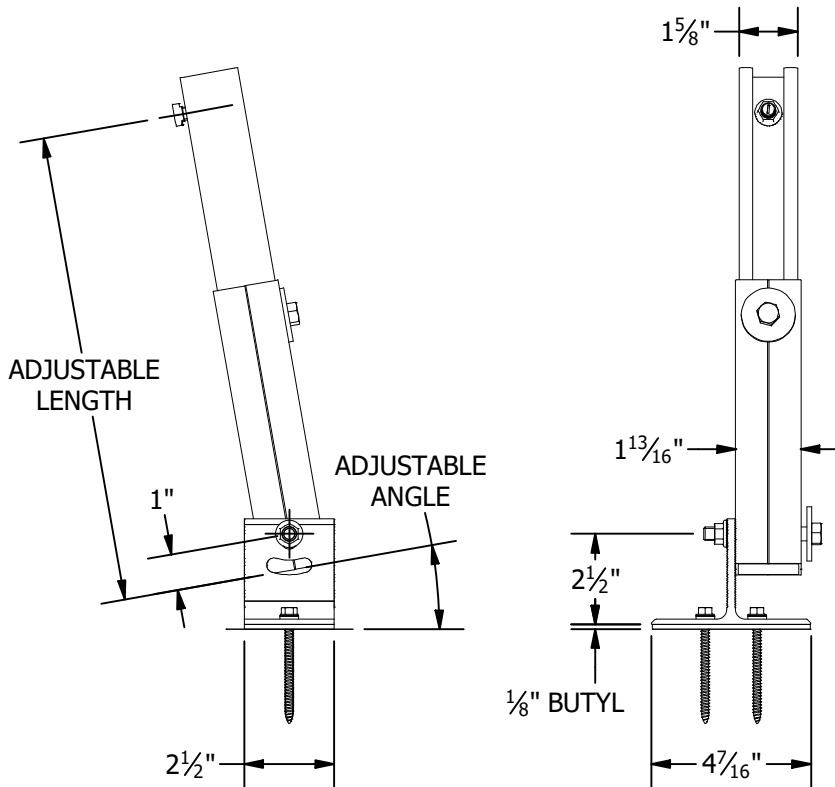
SM-A10

SHEET

PART # TABLE	
P/N	DESCRIPTION
SMBTILT12	SM ADJ TILT KIT, 12", BUTYL
SMBTILT30	SM ADJ TILT KIT, 30", BUTYL



L-FOOT ASSY



LEG ASSY

UNIRAC

1411 BROADWAY BLVD. NE
ALBUQUERQUE, NM 87102 USA
PHONE: 505.242.6411
WWW.UNIRAC.COM

PRODUCT LINE:	SOLAR MOUNT
DRAWING TYPE:	ASSEMBLY
DESCRIPTION:	ADJUSTABLE BUTYL TILT LEGS
REVISION DATE:	10/13/2025

DRAWING NOT TO SCALE
ALL DIMENSIONS ARE
NOMINAL

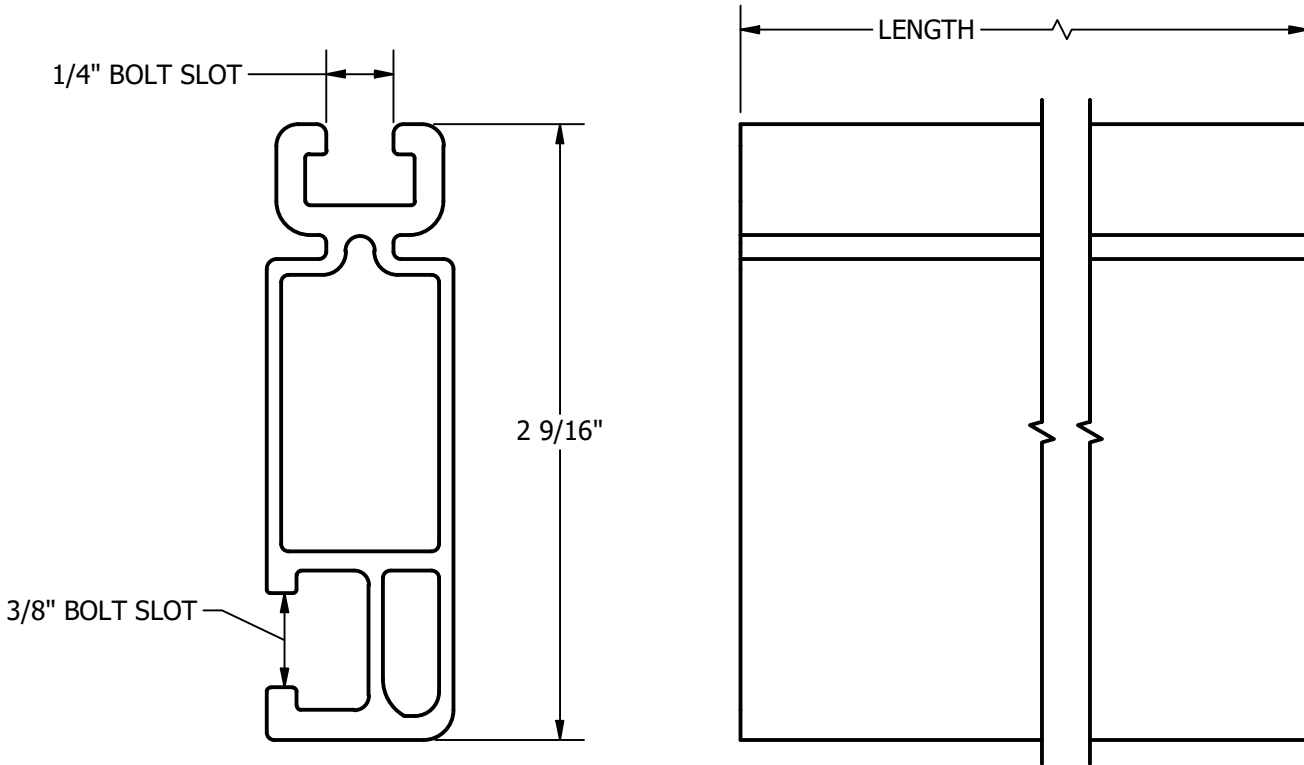
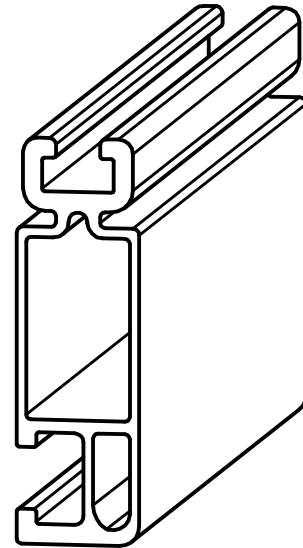
PRODUCT PROTECTED BY
ONE OR MORE US PATENTS

LEGAL NOTICE

SMBTILT-01
SHEET

PART # TABLE

P/N -US	P/N	DESCRIPTION	LENGTH
320185M-US	320185M	SM RAIL 185" MILL	185"
310185D-US	310185D	SM RAIL 185" DARK	185"
320246M-US	320246M	SM RAIL 246" MILL	246"
310246D-US	310246D	SM RAIL 246" DARK	246"



1411 BROADWAY BLVD. NE
ALBUQUERQUE, NM 87102 USA
PHONE: 505.242.6411
WWW.UNIRAC.COM

PRODUCT LINE:	SOLARMOUNT
DRAWING TYPE:	PART DETAIL
DESCRIPTION:	STANDARD RAIL
REVISION DATE:	10/13/2025

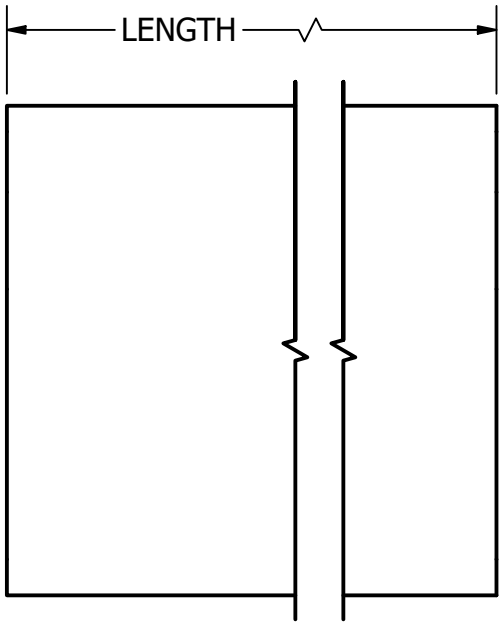
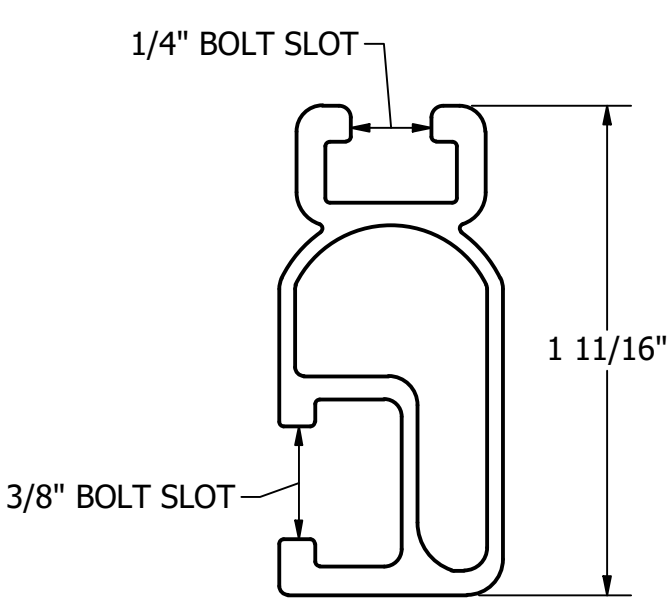
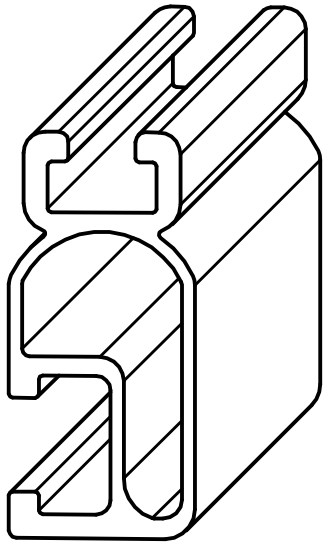
DRAWING NOT TO SCALE
ALL DIMENSIONS ARE
NOMINAL

PRODUCT PROTECTED BY
ONE OR MORE US PATENTS
LEGAL NOTICE

SM-P01

SHEET

PART # TABLE			
P/N -US	P/N	DESCRIPTION	LENGTH
315168D-US	315168D	SM LIGHT RAIL 168" DARK	168"
315168M-US	315168M	SM LIGHT RAIL 168" MILL	168"
315185D-US	315185D	SM LIGHT RAIL 185" DARK	185"
315185M-US	315185M	SM LIGHT RAIL 185" MILL	185"
315246D-US	315246D	SM LIGHT RAIL 246" DARK	246"
315246M-US	315246M	SM LIGHT RAIL 246" MILL	246"



UNIRAC
 1411 BROADWAY BLVD. NE
 ALBUQUERQUE, NM 87102 USA
 PHONE: 505.242.6411
 WWW.UNIRAC.COM

PRODUCT LINE:	SOLARMOUNT
DRAWING TYPE:	PART DETAIL
DESCRIPTION:	LIGHT RAIL
REVISION DATE:	10/13/2025

DRAWING NOT TO SCALE
 ALL DIMENSIONS ARE
 NOMINAL

PRODUCT PROTECTED BY
 ONE OR MORE US PATENTS

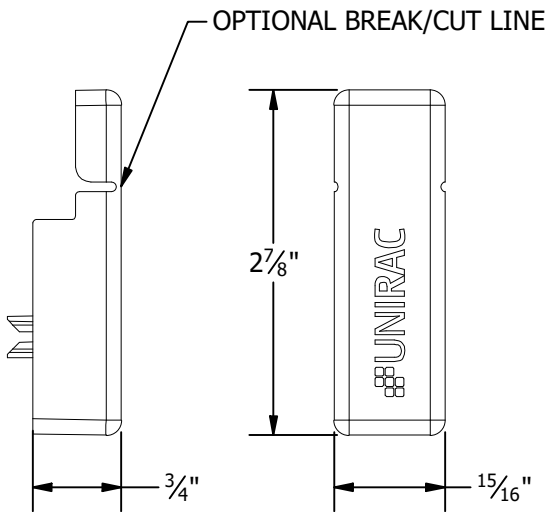
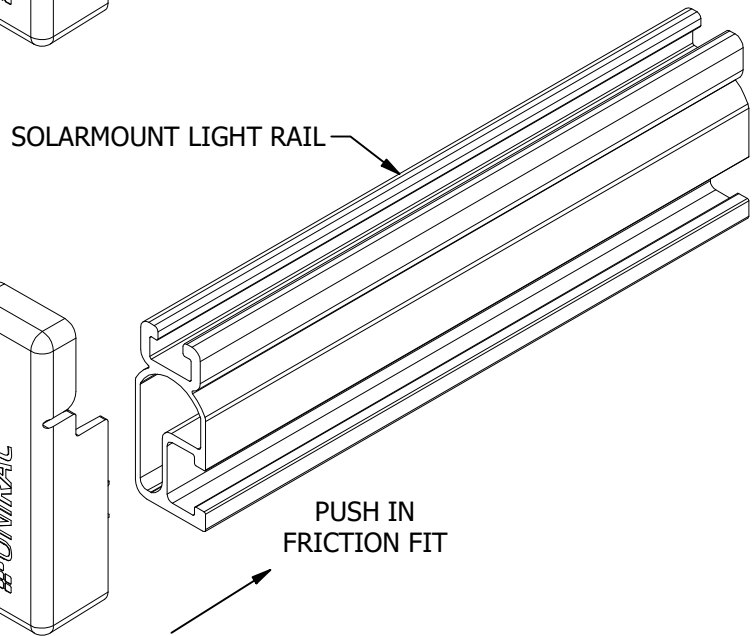
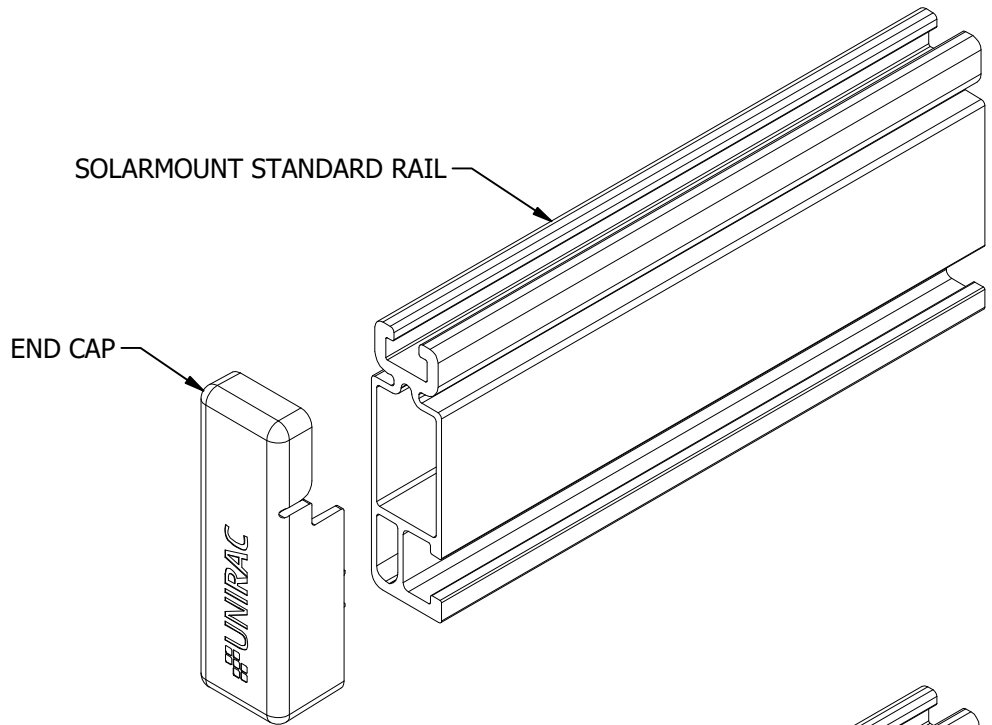
LEGAL NOTICE

SM-P02

SHEET

NOTES:

1. END CAP INCLUDED WITH EVERY END CLAMP.
2. END CAP FITS SOLARMOUNT LIGHT AND STANDARD RAIL PROFILES.



UNIRAC

1411 BROADWAY BLVD. NE
ALBUQUERQUE, NM 87102 USA
PHONE: 505.242.6411
WWW.UNIRAC.COM

PRODUCT LINE: SOLARMOUNT

DRAWING TYPE: PART DETAIL

DESCRIPTION: END CAPS

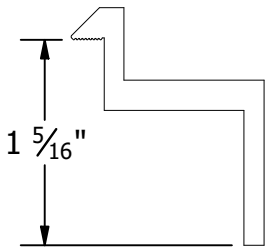
REVISION DATE: 10/13/2025

DRAWING NOT TO SCALE
ALL DIMENSIONS ARE
NOMINAL

PRODUCT PROTECTED BY
ONE OR MORE US PATENTS
LEGAL NOTICE

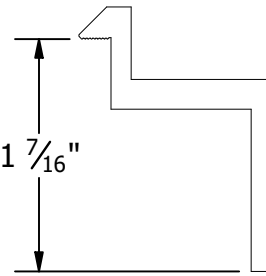
SM-P04

SHEET



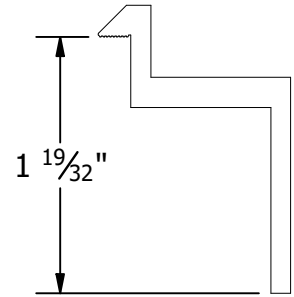
B CLAMP

30mm to 32mm Module Thickness
(1.18" to 1.26")



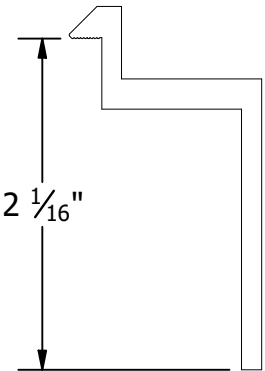
C CLAMP

33mm to 36mm Module Thickness
(1.30" to 1.42")



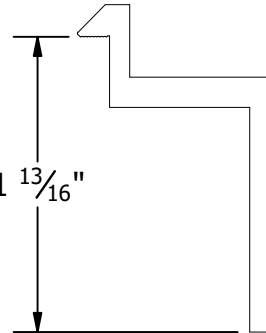
D CLAMP

38mm to 40mm Module Thickness
(1.50" to 1.57")



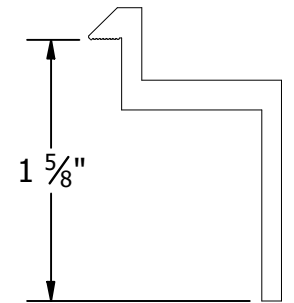
E CLAMP

50mm to 51mm Module Thickness
(1.97" to 2.00")



F CLAMP

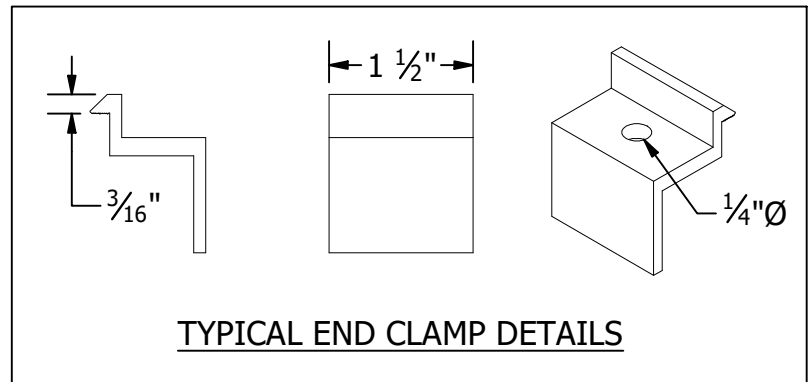
45mm to 47mm Module Thickness
(1.77" to 1.85")



K CLAMP

39mm to 41mm Module Thickness
(1.54" to 1.61")

PART # TABLE		
P/N -US	P/N	DESCRIPTION
302021C-US	302021C	SM ENDCLAMP B CLR AL
302021D-US	302021D	SM ENDCLAMP B DRK AL
302022C-US	302022C	SM ENDCLAMP C CLR AL
302022D-US	302022D	SM ENDCLAMP C DRK AL
302023C-US	302023C	SM ENDCLAMP D CLR AL
302023D-US	302023D	SM ENDCLAMP D DRK AL
303024C-US	303024C	SM ENDCLAMP E CLR AL
302024D-US	302024D	SM ENDCLAMP E DRK AL
302025C-US	302025C	SM ENDCLAMP F CLR AL
302025D-US	302025D	SM ENDCLAMP F DRK AL
302026C-US	302026C	SM ENDCLAMP K CLR AL
302026D-US	302026D	SM ENDCLAMP K DRK AL



1411 BROADWAY BLVD. NE
ALBUQUERQUE, NM 87102 USA
PHONE: 505.242.6411
WWW.UNIRAC.COM

PRODUCT LINE:	SOLARMOUNT
DRAWING TYPE:	PART DETAIL
DESCRIPTION:	END CLAMPS - TOP MOUNTING
REVISION DATE:	10/13/2025

DRAWING NOT TO SCALE ALL DIMENSIONS ARE NOMINAL
PRODUCT PROTECTED BY ONE OR MORE US PATENTS LEGAL NOTICE

SM-P05
SHEET