

SUNFRAME MICRORAIL UNIRAC

SUNFRAME MICRORAIL™ (SFM) is a hybrid racking system including a structural front Trimrail™ for fastest array alignment and superior aesthetics. Minimize total labor with pre-assembled parts, integrated bonding hardware and one tool installation. Compact packaging with few SKUs lowers logistics costs from the warehouse to the roof. Patented mounting components provide post-install height adjustment and allow for removal of individual panels for maintenance.

INNOVATION

INDUSTRY LEADING FEATURES

STRUCTURAL FRONT TRIMRAIL

FASTEST ARRAY ALIGNMENT & SUPERIOR AESTHETICS

POST-INSTALL HEIGHT ADJUSTMENT

LEVEL MODULES ANYTIME DURING INSTALLATION

SINGLE MODULE ACCESS

REMOVE SINGLE PANELS FOR ARRAY MAINTENANCE

SINGLE TOOL INSTALLATION

QUICK & EASY ARRAY ALIGNMENT

TRIMRAIL WITH SEAMLESS MODULE MOUNTING

MIXED ARRAYS - PORTRAIT & LANDSCAPE ORIENTATION

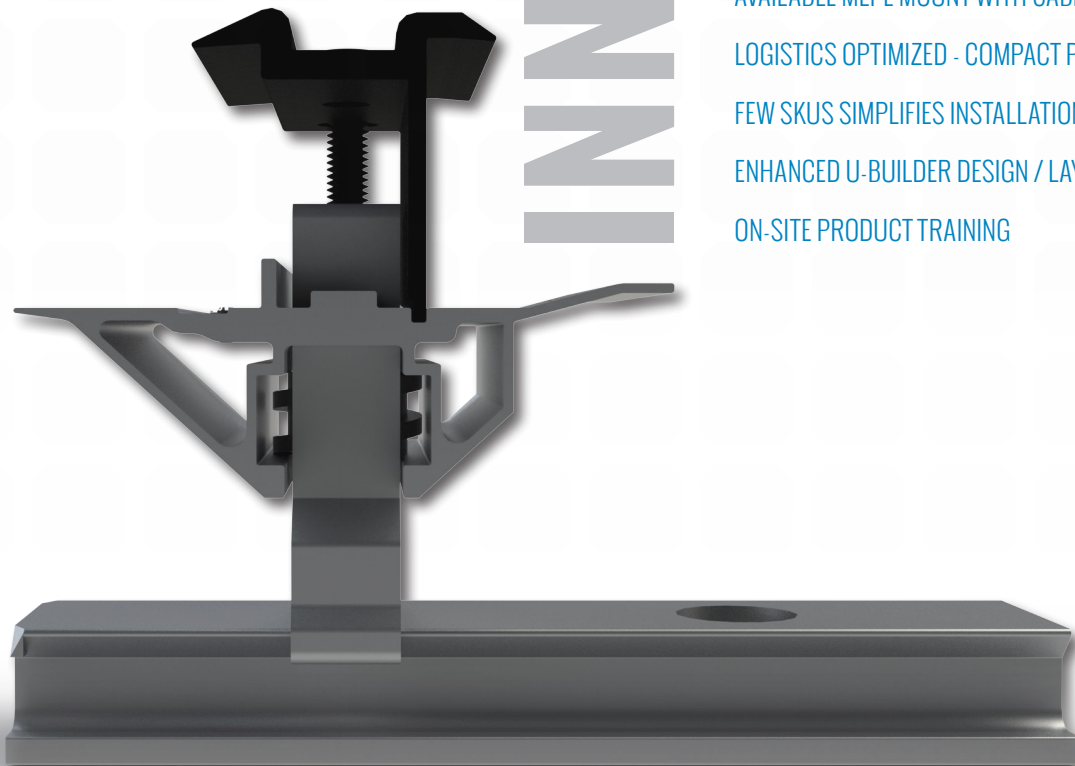
AVAILABLE MLPE MOUNT WITH CABLE MANAGEMENT

LOGISTICS OPTIMIZED - COMPACT PACKAGING

FEW SKUS SIMPLIFIES INSTALLATION

ENHANCED U-BUILDER DESIGN / LAYOUT TOOL

ON-SITE PRODUCT TRAINING



LESS RAIL, MORE PERFORMANCE

SUNFRAME MICRORAIL

LESS RAIL, MORE PERFORMANCE

SOLAR SHOULD BE SIMPLE

No unique module type or frame required for installation

Accommodates the most common frame heights: 32mm, 35mm, 40mm & 46mm

Design around the roof, not the racking; Portrait, Landscape or Mixed module orientation

Maximize power on the roof, install up to 25% more with modules in landscape orientation

UL2703 Listed. Accommodate the most stringent AHJ requirements

Stagger roof attachments & use attached splice for extra strength and flexibility

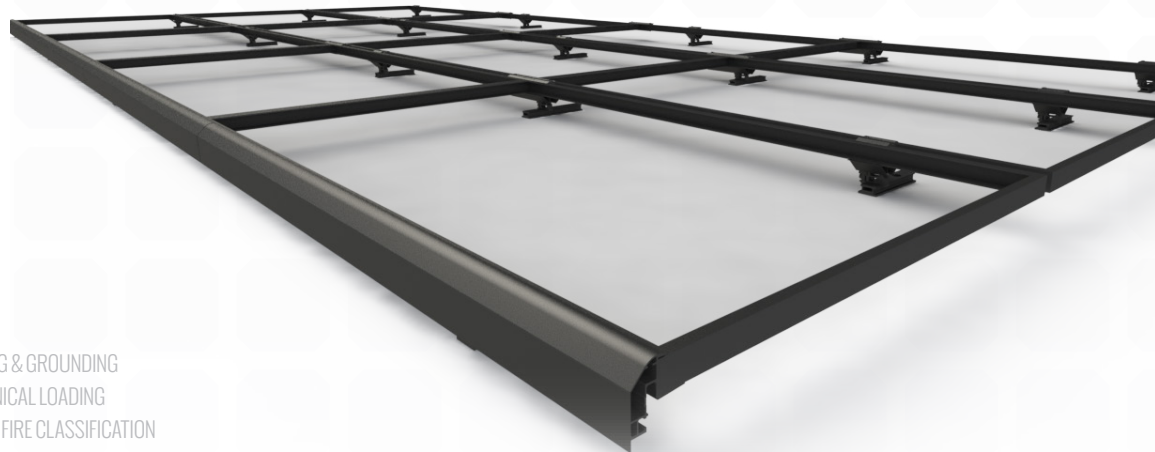
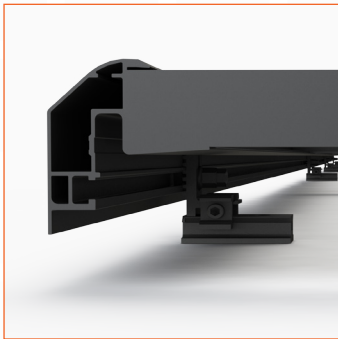
Lose All the Copper and Lugs. Bonding and grounding thru Enphase M215 & M250 Microinverters

Full wire management solution allows pre-management of wires before module installation

Engage Wire Management Clip, MLPE Mount & Heyco Dual PV wire trunk cable clips

Small components, Compact packaging & Pre-assembled parts

A third less volume than traditional racking. Fit several jobs-worth of racking on a single truck



LISTED **UL2703** BONDING & GROUNDING
MECHANICAL LOADING
SYSTEM FIRE CLASSIFICATION

COLLABORATION WITH INDUSTRY LEADING INSTALLERS - FIELD TESTED & VERIFIED

WORLD CLASS U-BUILDER FOR QUICK & EFFICIENT DESIGN / LAYOUT WITHIN MINUTES

Module Level Roof Zone Control / Specify Individual Module Preferences

Generate Layouts with Staggered Arrays / Multiple Arrays per Report

Create Row by Row Mixed Arrays with Modules in Portrait and Landscape Orientation

Identify Rafter Locations for Fewest Roof Penetrations

Optimize System Loading with Staggered Roof Attachments

FAST AND EASY PERMIT APPROVAL

UL2703 Certification Documents • Stamped 3rd Party PE Letters • Design & Engineering Guide • Technical Detail Drawings • AHJ Outreach Program

PRODUCT TRAINING WITH PROJECT MANAGEMENT SERVICES TO MINIMIZE INSTALLATION LEARNING CURVE

Installation Guides & Videos • Live Demos • Train the Trainer Program • On-Site Product Training

UNIRAC CUSTOMER SERVICE MEANS THE HIGHEST LEVEL OF PRODUCT SUPPORT IN THE RACKING INDUSTRY