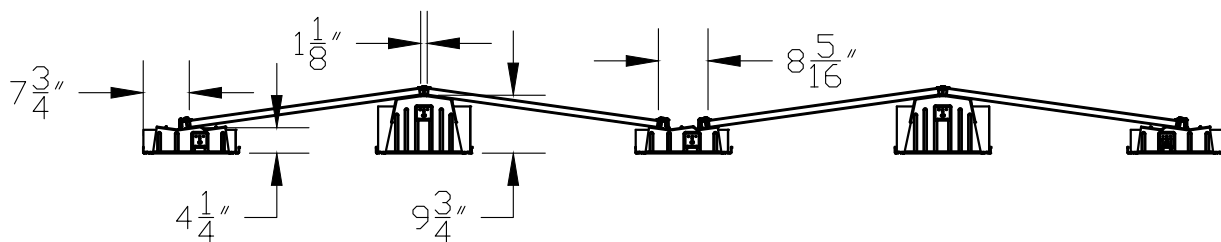
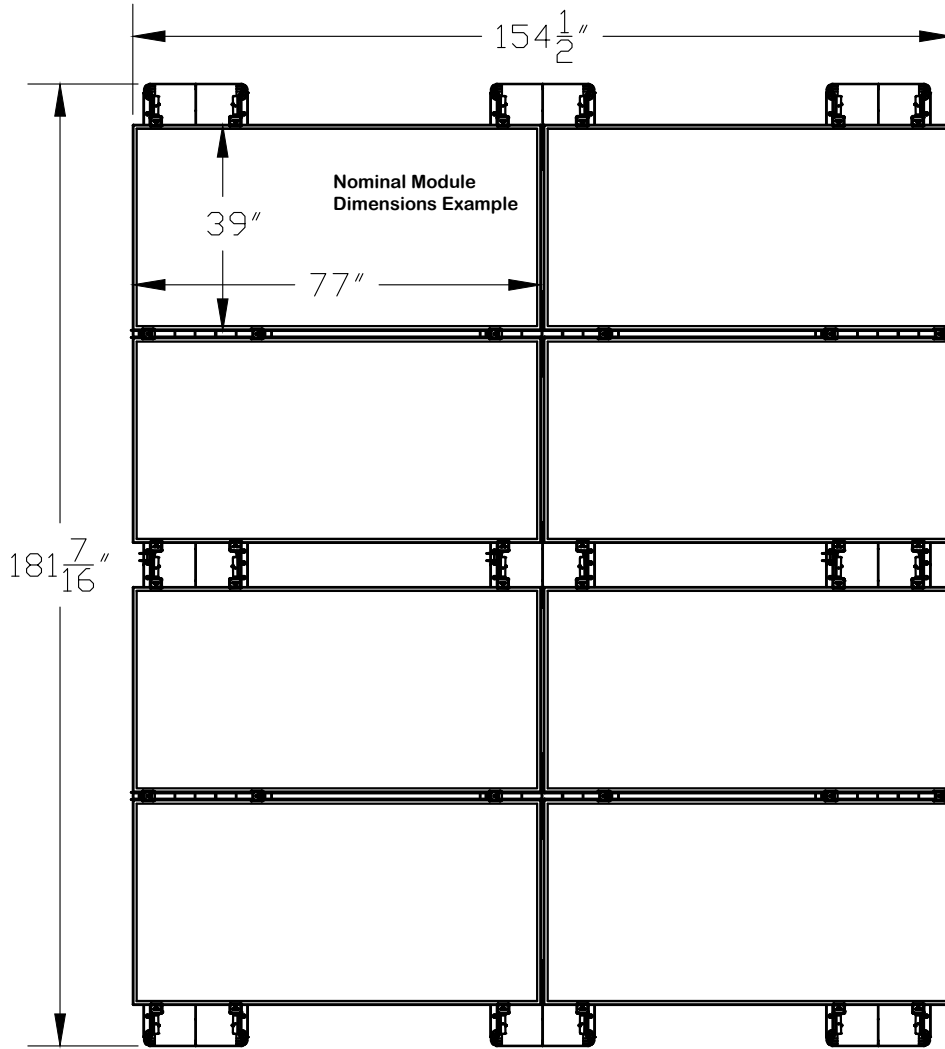
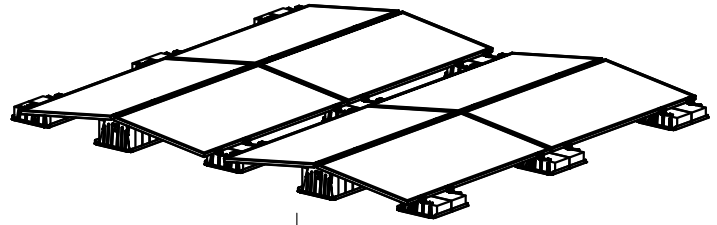


NOTE: ARRAY DIMENSIONS WILL VARY BASED ON  
MODULE WIDTH & LENGTH.



1411 BROADWAY BLVD NE  
ALBUQUERQUE, NM 87102  
USA

WWW.UNIRAC.COM

<b>PRODUCT LINE:</b>	RMDT
<b>DRAWING TYPE:</b>	ASSEMBLY
<b>DESCRIPTION:</b>	2x4 LAYOUT
<b>REVISION DATE:</b>	October_2016

DRAWING NOT TO SCALE  
ALL DIMENSIONS ARE NOMINAL

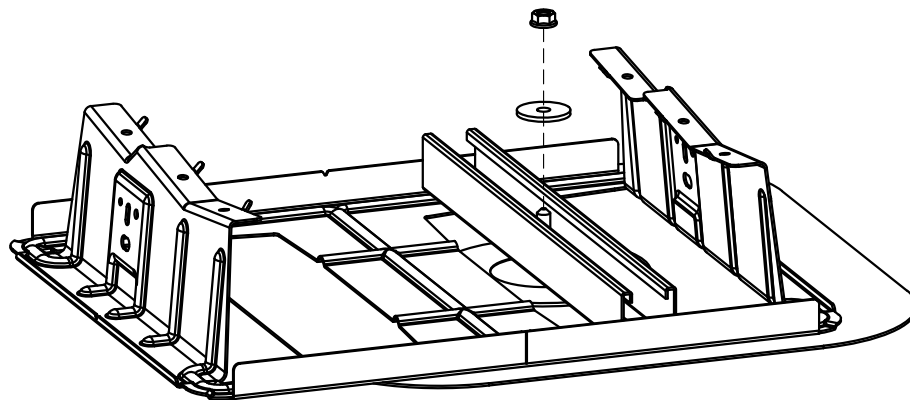
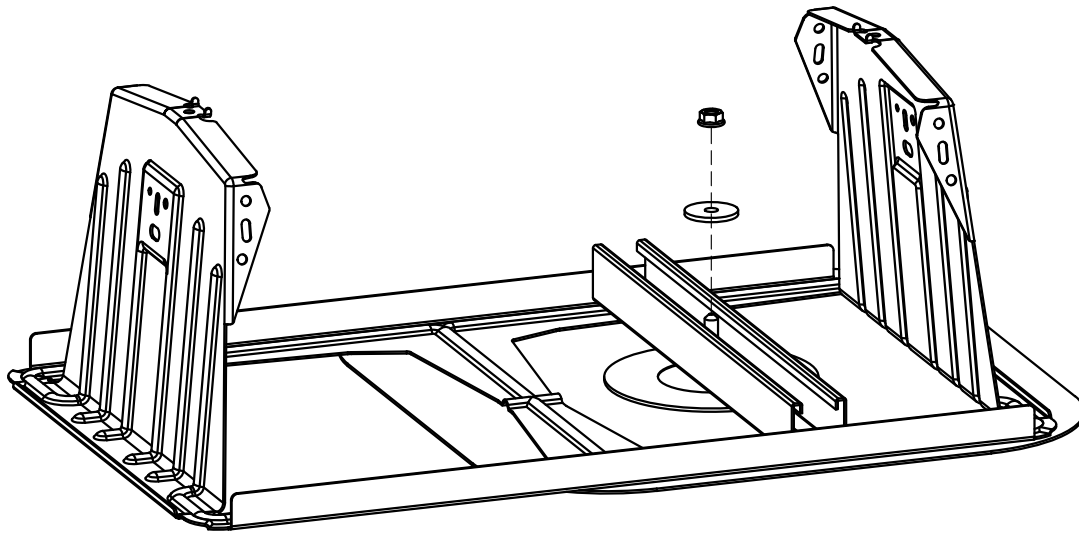
PRODUCT PROTECTED BY ONE  
OR MORE US PATENTS

**LEGAL NOTICE**

**RMDT-A01**  
**SHEET**







**UNIRAC**<sup>®</sup>

1411 BROADWAY BLVD NE  
ALBUQUERQUE, NM 87102  
USA

WWW.UNIRAC.COM

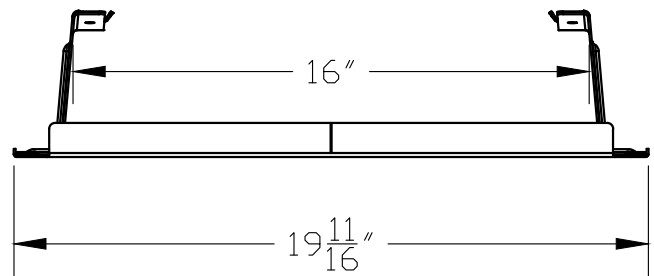
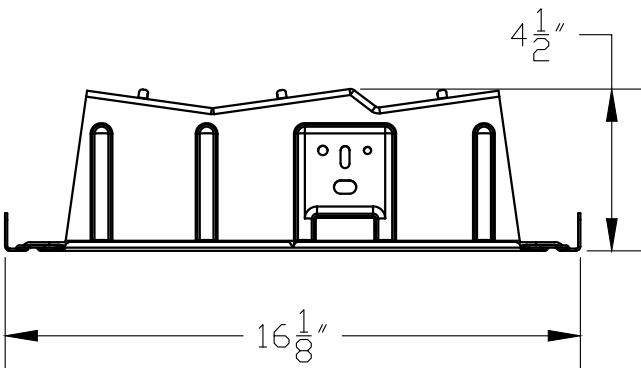
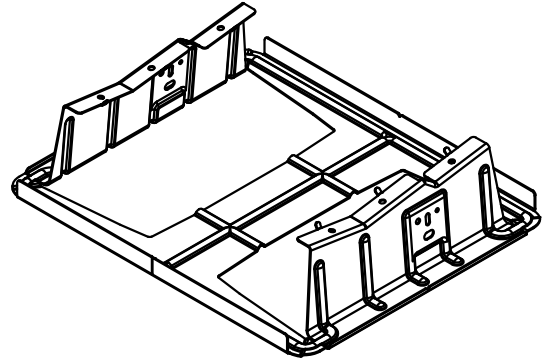
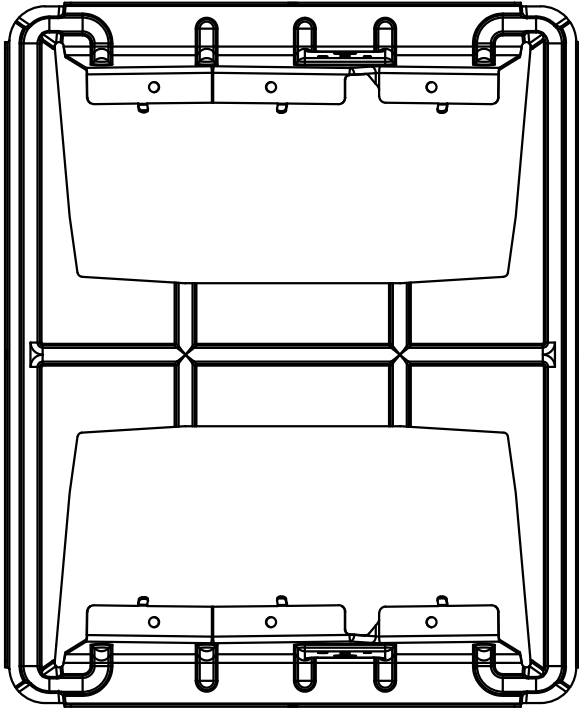
<b>PRODUCT LINE:</b>	RMDT
<b>DRAWING TYPE:</b>	ASSEMBLY
<b>DESCRIPTION:</b>	BAY ATTACHMENTS
<b>REVISION DATE:</b>	October_2016

DRAWING NOT TO SCALE  
ALL DIMENSIONS ARE NOMINAL

PRODUCT PROTECTED BY ONE  
OR MORE US PATENTS

**LEGAL NOTICE**

**RMDT-A04**  
**SHEET**



**UNIRAC**

1411 BROADWAY BLVD NE  
ALBUQUERQUE, NM 87102  
USA

WWW.UNIRAC.COM

<b>PRODUCT LINE:</b>	RMDT
<b>DRAWING TYPE:</b>	PART
<b>DESCRIPTION:</b>	RMDT VALLEY BAY
<b>REVISION DATE:</b>	October_2016

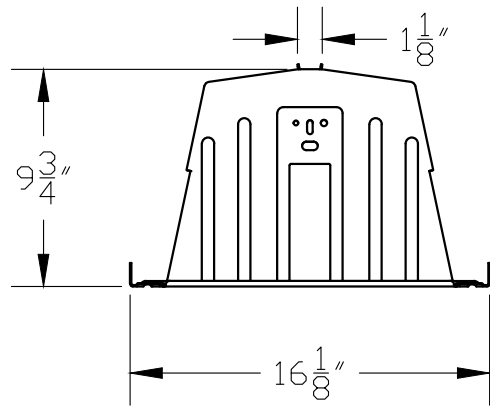
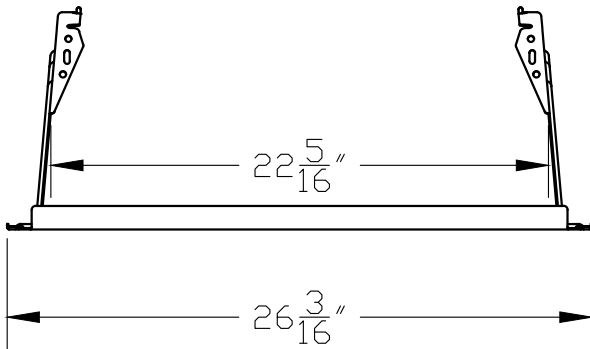
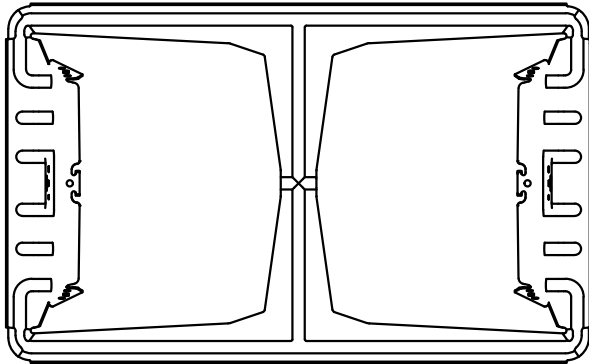
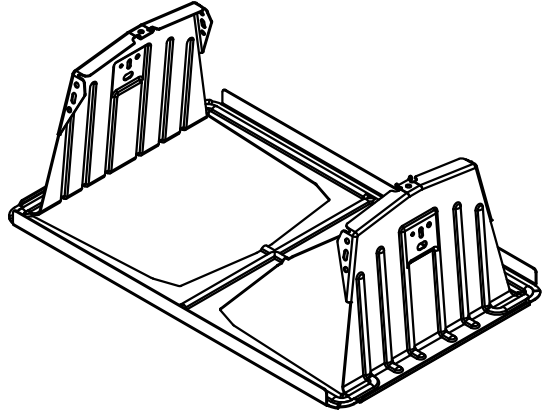
DRAWING NOT TO SCALE  
ALL DIMENSIONS ARE NOMINAL

PRODUCT PROTECTED BY ONE  
OR MORE US PATENTS

**LEGAL NOTICE**

**RMDT-PO1**

**SHEET**



1411 BROADWAY BLVD NE  
ALBUQUERQUE, NM 87102  
USA

WWW.UNIRAC.COM

<b>PRODUCT LINE:</b>	RMDT
<b>DRAWING TYPE:</b>	PART
<b>DESCRIPTION:</b>	RMDT RIDGE BAY
<b>REVISION DATE:</b>	October_2016

DRAWING NOT TO SCALE  
ALL DIMENSIONS ARE NOMINAL

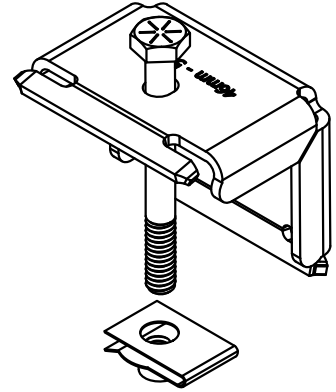
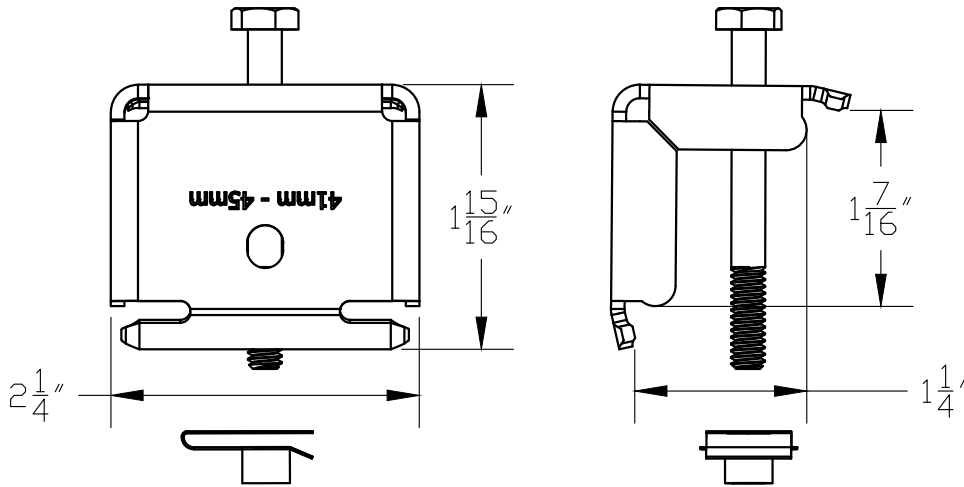
PRODUCT PROTECTED BY ONE  
OR MORE US PATENTS

**LEGAL NOTICE**

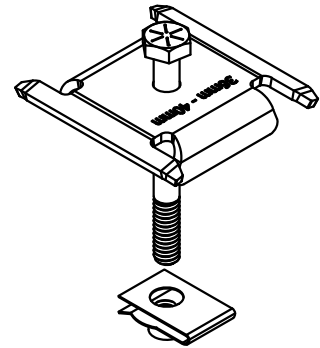
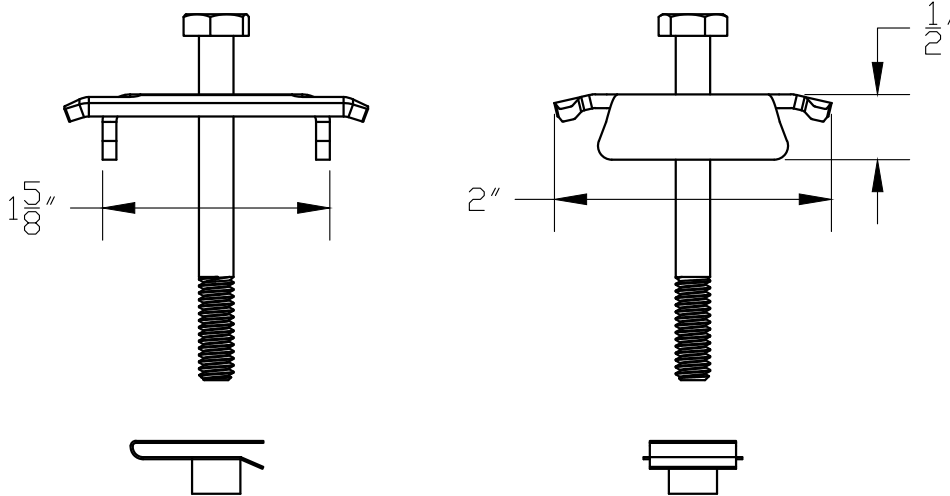
**RMDT-P02**

**SHEET**

## END CLAMP



## MID CLAMP



**UNIRAC**

1411 BROADWAY BLVD NE  
ALBUQUERQUE, NM 87102  
USA

WWW.UNIRAC.COM

**PRODUCT LINE:** RMDT

**DRAWING TYPE:** PART

**DESCRIPTION:** RMDT CLAMPS

**REVISION DATE:** October\_2016

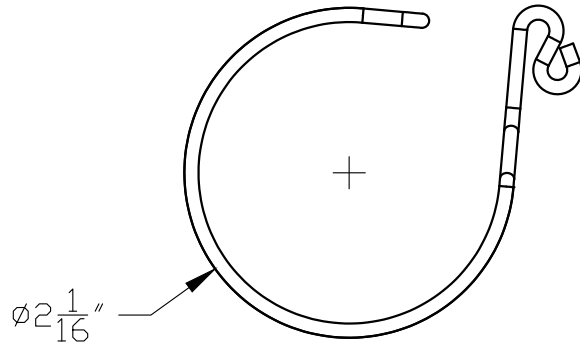
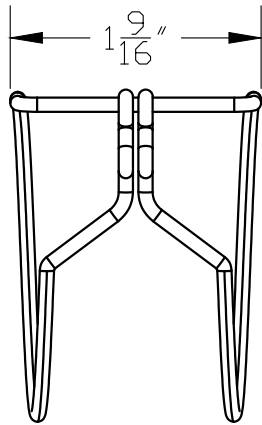
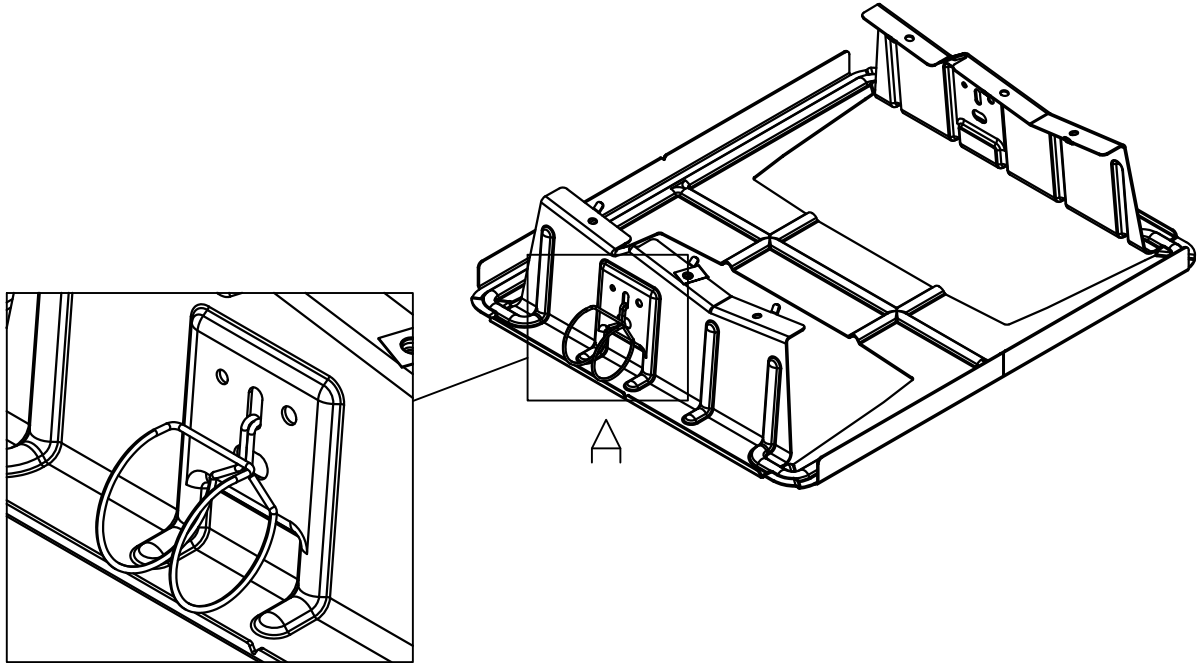
DRAWING NOT TO SCALE  
ALL DIMENSIONS ARE NOMINAL

PRODUCT PROTECTED BY ONE  
OR MORE US PATENTS

**LEGAL NOTICE**

**RMDT-P03**

**SHEET**



**UNIRAC**<sup>®</sup>

1411 BROADWAY BLVD NE  
ALBUQUERQUE, NM 87102  
USA

WWW.UNIRAC.COM

<b>PRODUCT LINE:</b>	RMDT
<b>DRAWING TYPE:</b>	PART
<b>DESCRIPTION:</b>	RMDT WIRE CLIP
<b>REVISION DATE:</b>	October_2016

DRAWING NOT TO SCALE  
ALL DIMENSIONS ARE NOMINAL

PRODUCT PROTECTED BY ONE  
OR MORE US PATENTS

**LEGAL NOTICE**

**RMDT-P04**

**SHEET**