

ROOFMOUNT



RM5

5 DEGREE TILT

TEST EAS

OPTIMIZE ARRAY LAYOUT

TWO ROW SPACING OPTIONS

5 DEGREE TILT - 7.5 IN. / 11 IN. ROW SPACING

SINGLE TOOL ASSEMBLY

INTEGRATED BONDING

SEAMLESS WIRE MANAGEMENT

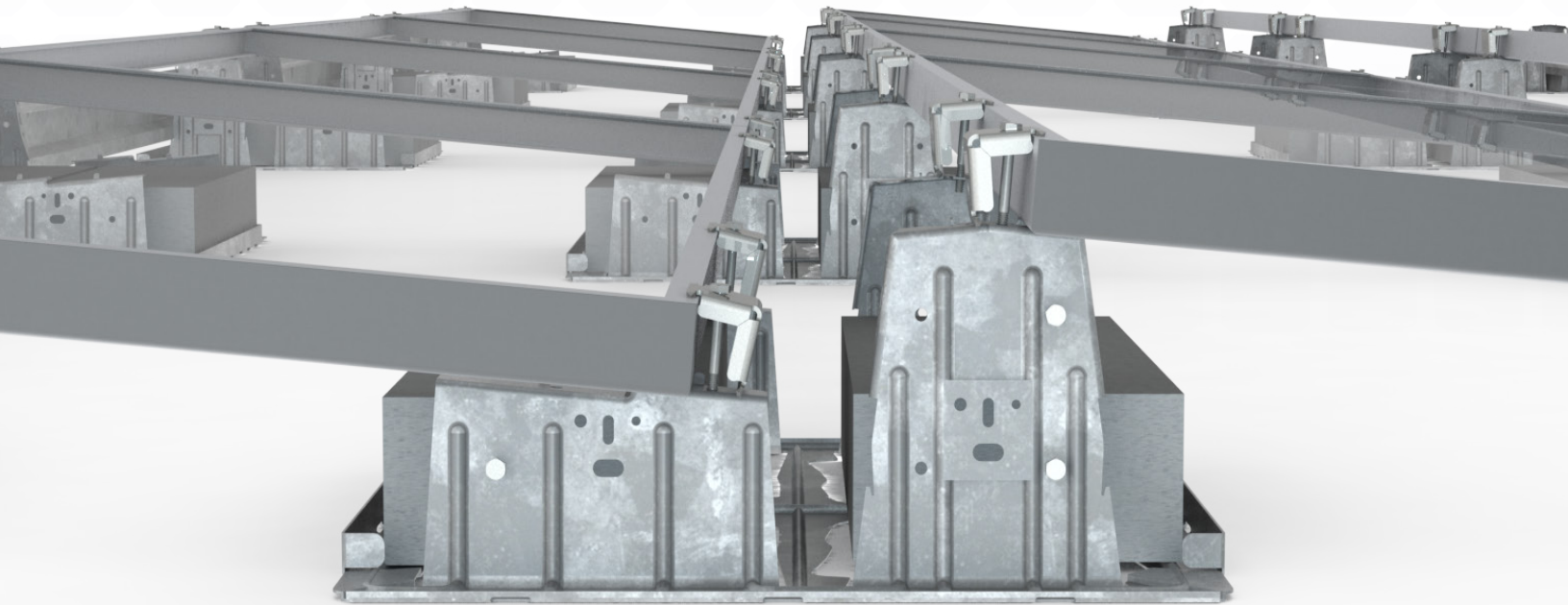
ENHANCED U-BUILDER DESIGN / LAYOUT TOOL

SEAMLESS HELIOSCOPE INTEGRATION

CUSTOMIZED QUOTATION ASSISTANCE

3RD PARTY ENGINEERING DOCUMENTATION

INDUSTRY BEST LEAD TIMES



MAXIMIZE PROFITABILITY AT EVERY STEP

ROOFMOUNT



OPTIMIZE ARRAY LAYOUT

MAXIMUM LAYOUT FLEXIBILITY WITH TWO ROW SPACING OPTIONS

5 Degree Tilt with 7.5 IN. / 11 IN. Row Spacing Options

G235 steel, double the corrosion protection of other racking products

Place panel, then clamp for single person module installation

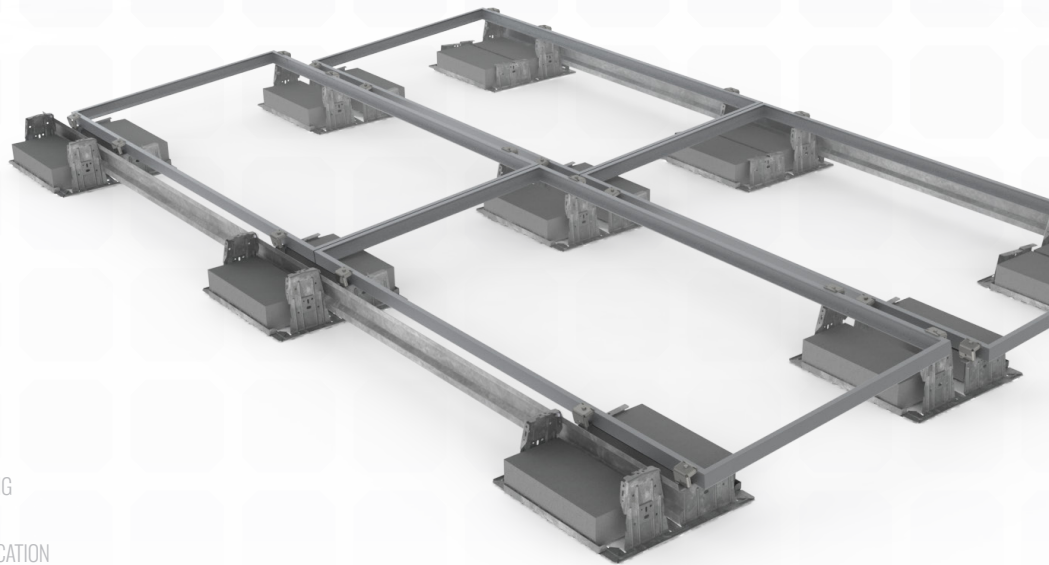
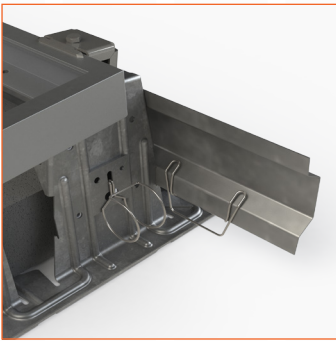
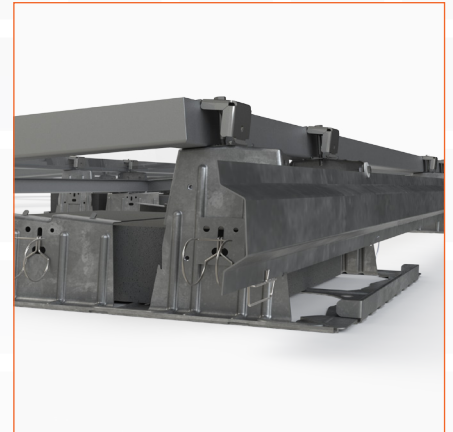
Integrated bonding with single tool, hassle-free installation

Simplified wiring with Unirac's RM wire management clips

MLPE mount for microinverters and power optimizers

Optional roof attachments to meet site specific requirements

Ship up to 1 MW per truck with compact packaging



LISTED UL2703 BONDING & GROUNDING
MECHANICAL LOADING
SYSTEM FIRE CLASSIFICATION

ACCELERATE YOUR PROJECT AT EVERY STEP FOR MAXIMUM PROFITABILITY

WORLD CLASS U-BUILDER FOR QUICK & EFFICIENT DESIGN / LAYOUT WITHIN MINUTES

Seamless HelioScope Integration • Google Maps Platform • Row by Row Design with Ballast Distribution Maps • Site Specific Engineering Report • Multiple Arrays per Design • CAD File Downloads

COMPREHENSIVE DESIGN & ENGINEERING SUPPORT

A Team of Technical Experts & Professional Engineers Customize Projects while Tailoring Designs to Maximize Energy Output with Lowest Possible System Cost

GUARANTEED PERMIT APPROVAL

UL2703 Certification Documents • Stamped 3rd Party PE Letters • Construction Drawings • AHJ Outreach Program

BEST LOGISTICS NETWORK - FASTEST DELIVERY IN THE COMMERCIAL PV RACKING INDUSTRY

Two-Week Lead Times From Our Factory And Immediate Deployment Through Our Nationwide Distribution Network.

PRODUCT TRAINING WITH PROJECT MANAGEMENT SERVICES TO MINIMIZE INSTALLATION LEARNING CURVE

Installation Guides & Videos • Live Demos • Train the Trainer Program • Change Order Management • Project Close-Out Assistance

UNIRAC CUSTOMER SERVICE MEANS THE HIGHEST LEVEL OF PRODUCT SUPPORT IN THE RACKING INDUSTRY