

UNIRAC[®]

1411 BROADWAY BLVD NE
ALBUQUERQUE, NM 87102 USA

WWW.UNIRAC.COM

PRODUCT LINE:	ULA
DRAWING TYPE:	ASSEMBLY
DESCRIPTION:	ASSEMBLY EXAMPLE
REVISION DATE:	APRIL 2016

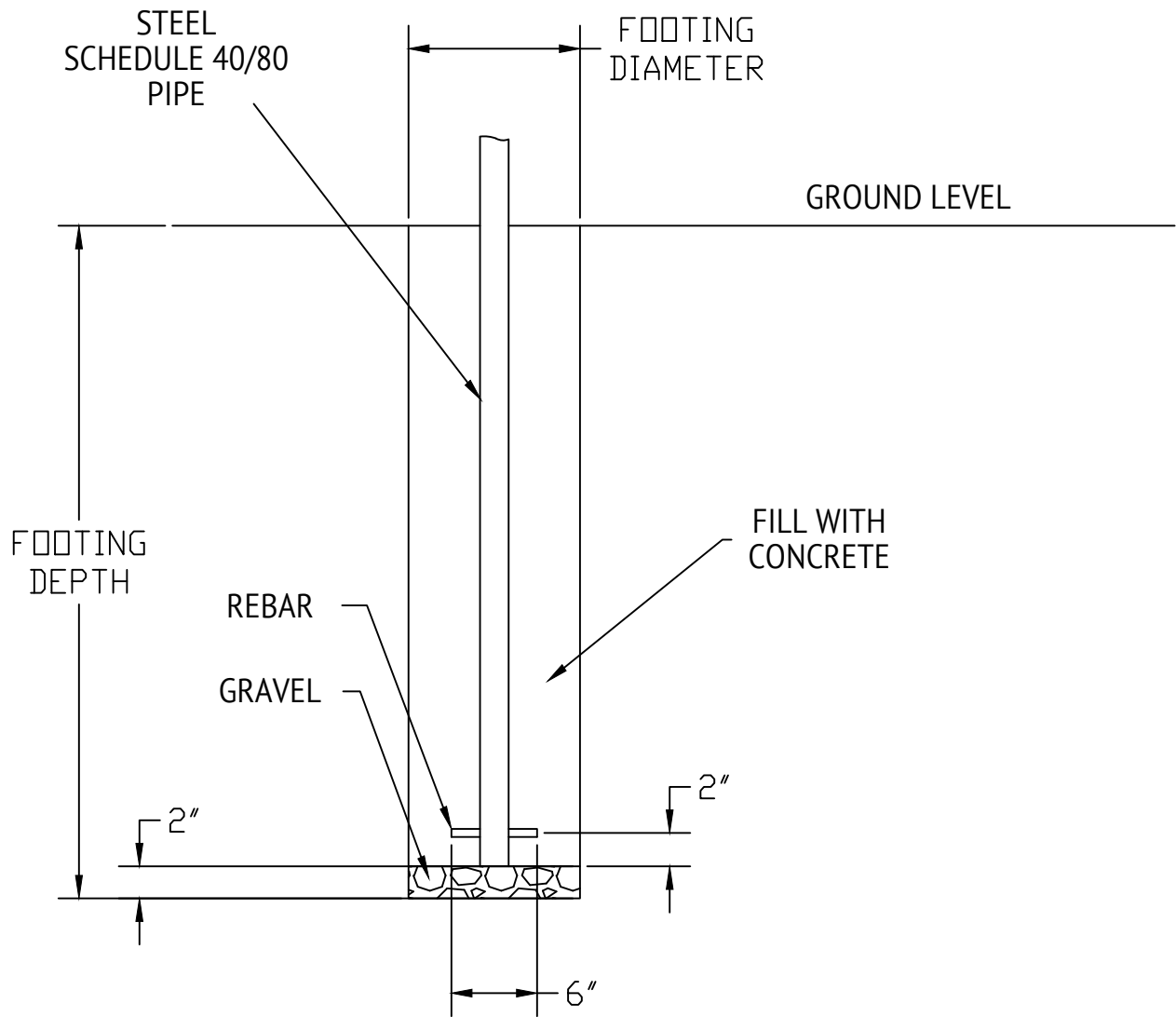
DRAWING NOT TO SCALE
ALL DIMENSIONS ARE NOMINAL

PRODUCT PROTECTED BY ONE
OR MORE US PATENTS

LEGAL NOTICE

ULA-A01

SHEET



1411 BROADWAY BLVD NE
ALBUQUERQUE, NM 87102 USA

WWW.UNIRAC.COM

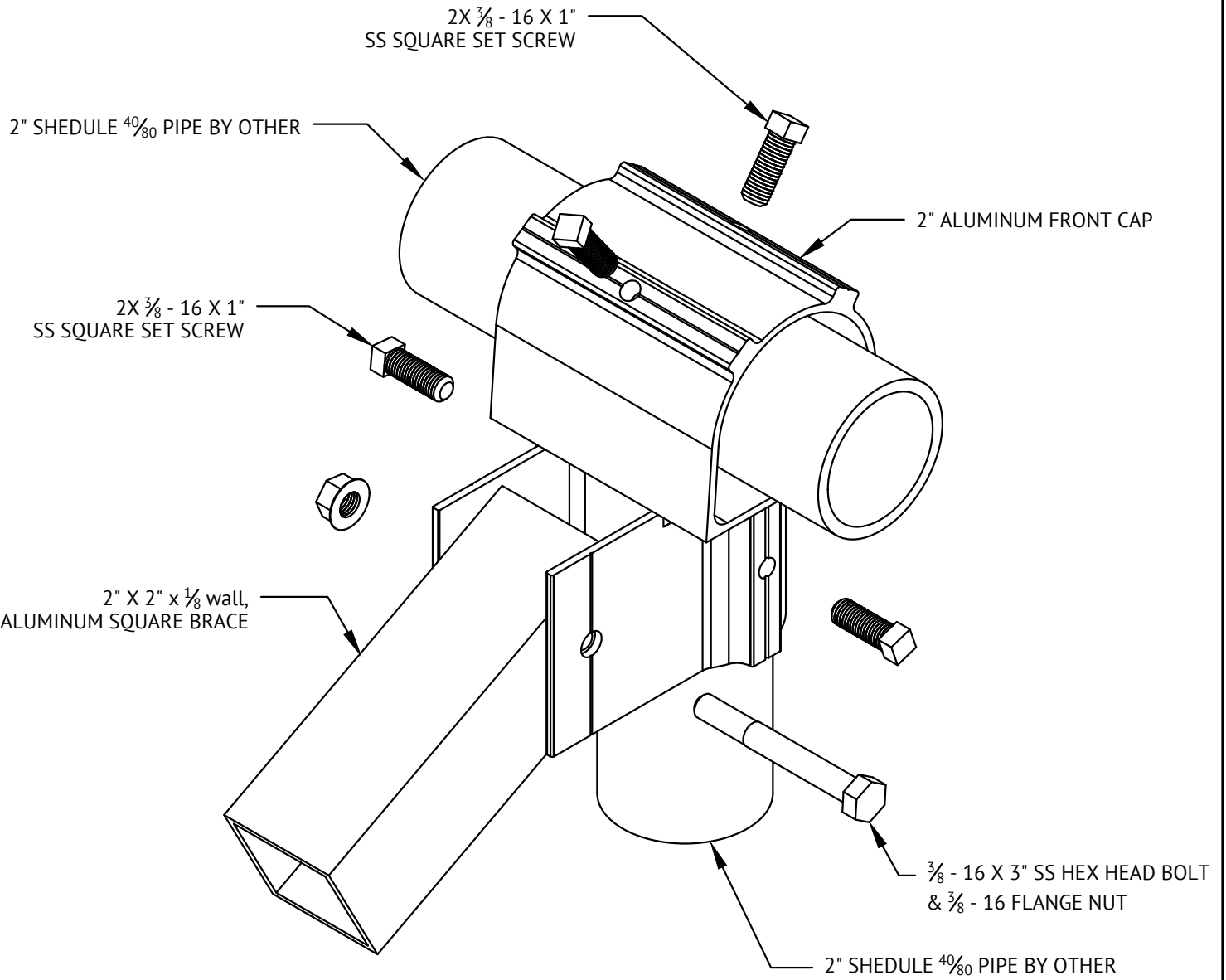
PRODUCT LINE:	ULA
DRAWING TYPE:	ASSEMBLY
DESCRIPTION:	ULA FOUNDATION
REVISION DATE:	APRIL 2016

DRAWING NOT TO SCALE
ALL DIMENSIONS ARE NOMINAL

PRODUCT PROTECTED BY ONE
OR MORE US PATENTS

LEGAL NOTICE

ULA-A03
SHEET



1411 BROADWAY BLVD NE
ALBUQUERQUE, NM 87102 USA

WWW.UNIRAC.COM

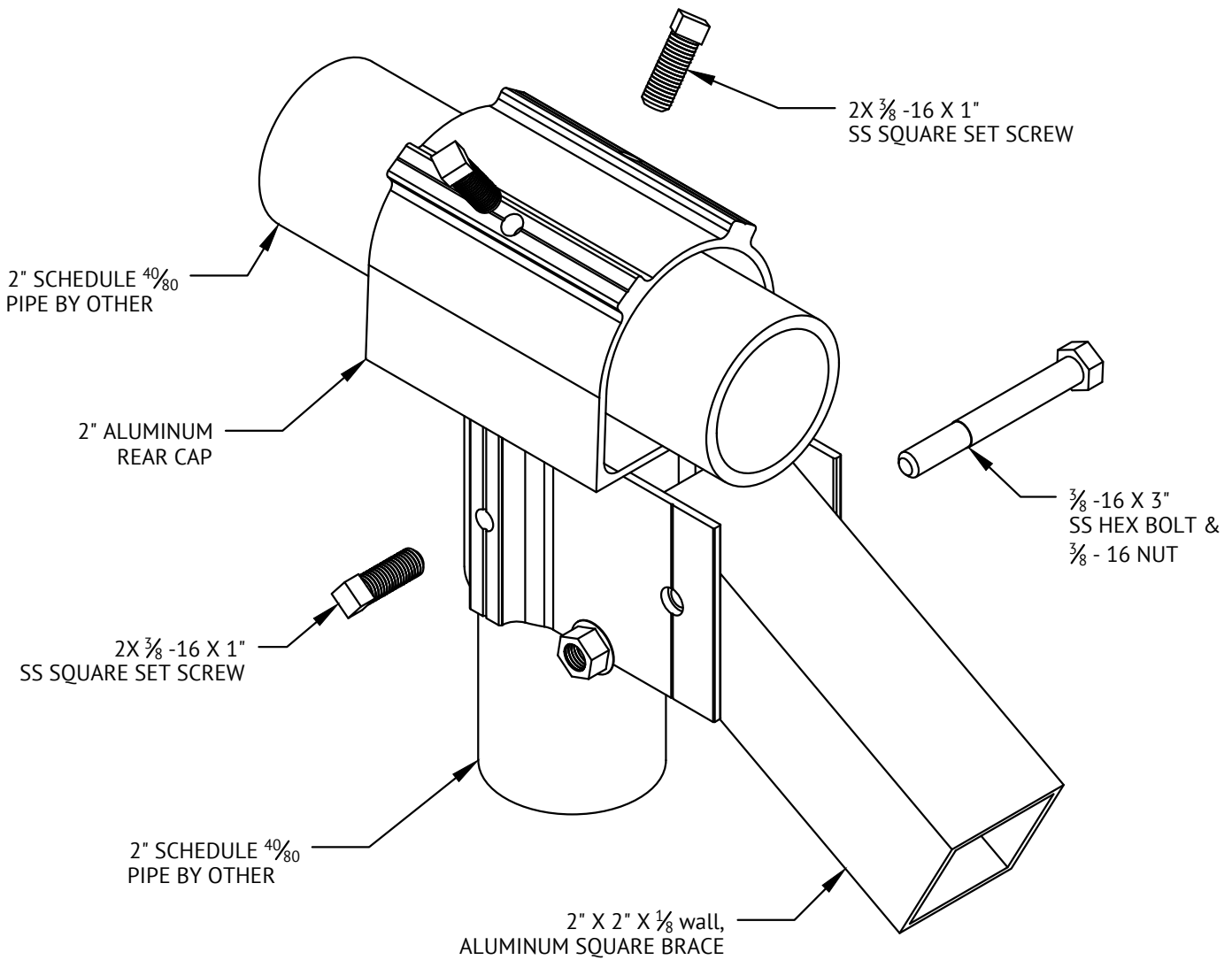
PRODUCT LINE:	ULA
DRAWING TYPE:	PART
DESCRIPTION:	ALUM FRONT CAP
REVISION DATE:	APRIL 2016

DRAWING NOT TO SCALE
ALL DIMENSIONS ARE NOMINAL

PRODUCT PROTECTED BY ONE
OR MORE US PATENTS

LEGAL NOTICE

ULA-A04
SHEET



1411 BROADWAY BLVD NE
ALBUQUERQUE, NM 87102 USA

WWW.UNIRAC.COM

PRODUCT LINE:	ULA
DRAWING TYPE:	PART
DESCRIPTION:	ALUMINUM REAR CAP
REVISION DATE:	APRIL 2016

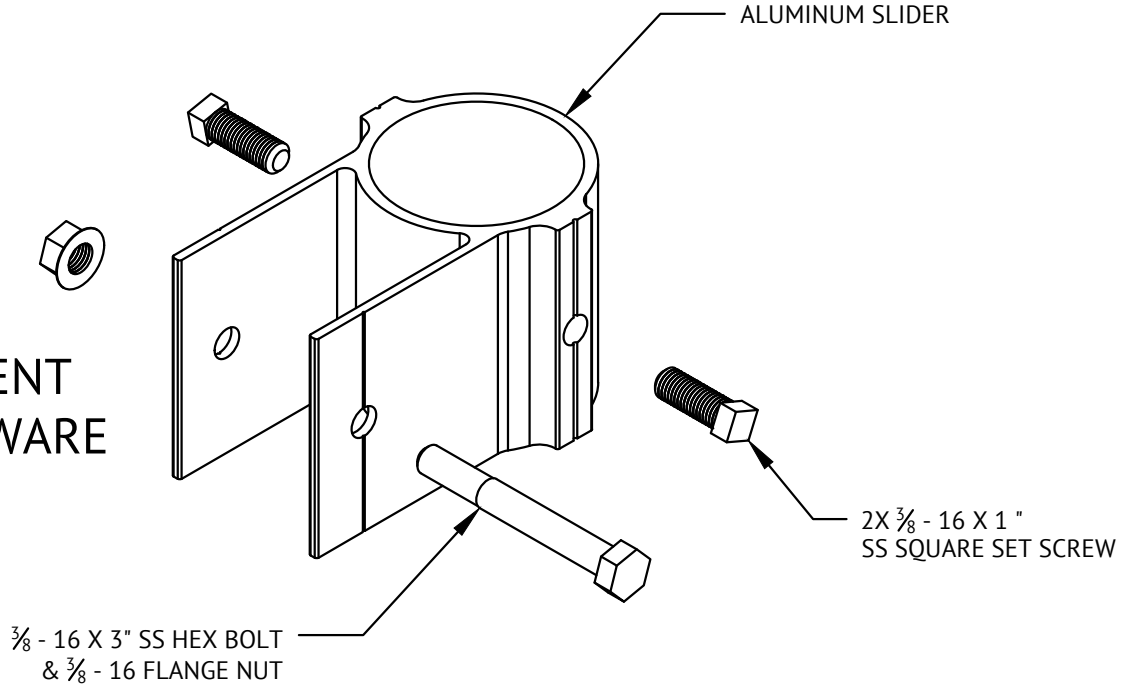
DRAWING NOT TO SCALE
ALL DIMENSIONS ARE NOMINAL

PRODUCT PROTECTED BY ONE
OR MORE US PATENTS

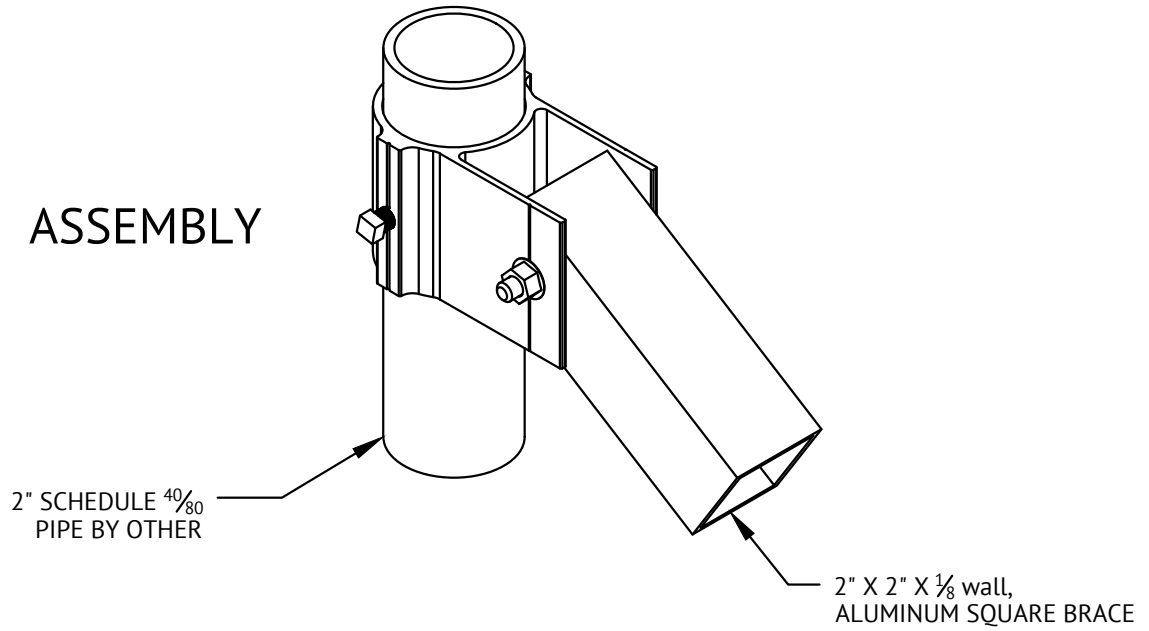
LEGAL NOTICE

ULA-A05
SHEET

COMPONENT & HARDWARE



ASSEMBLY



1411 BROADWAY BLVD NE
ALBUQUERQUE, NM 87102 USA

WWW.UNIRAC.COM

PRODUCT LINE:

ULA

DRAWING TYPE:

PART

DESCRIPTION:

ALUM SLIDER

REVISION DATE:

APRIL 2016

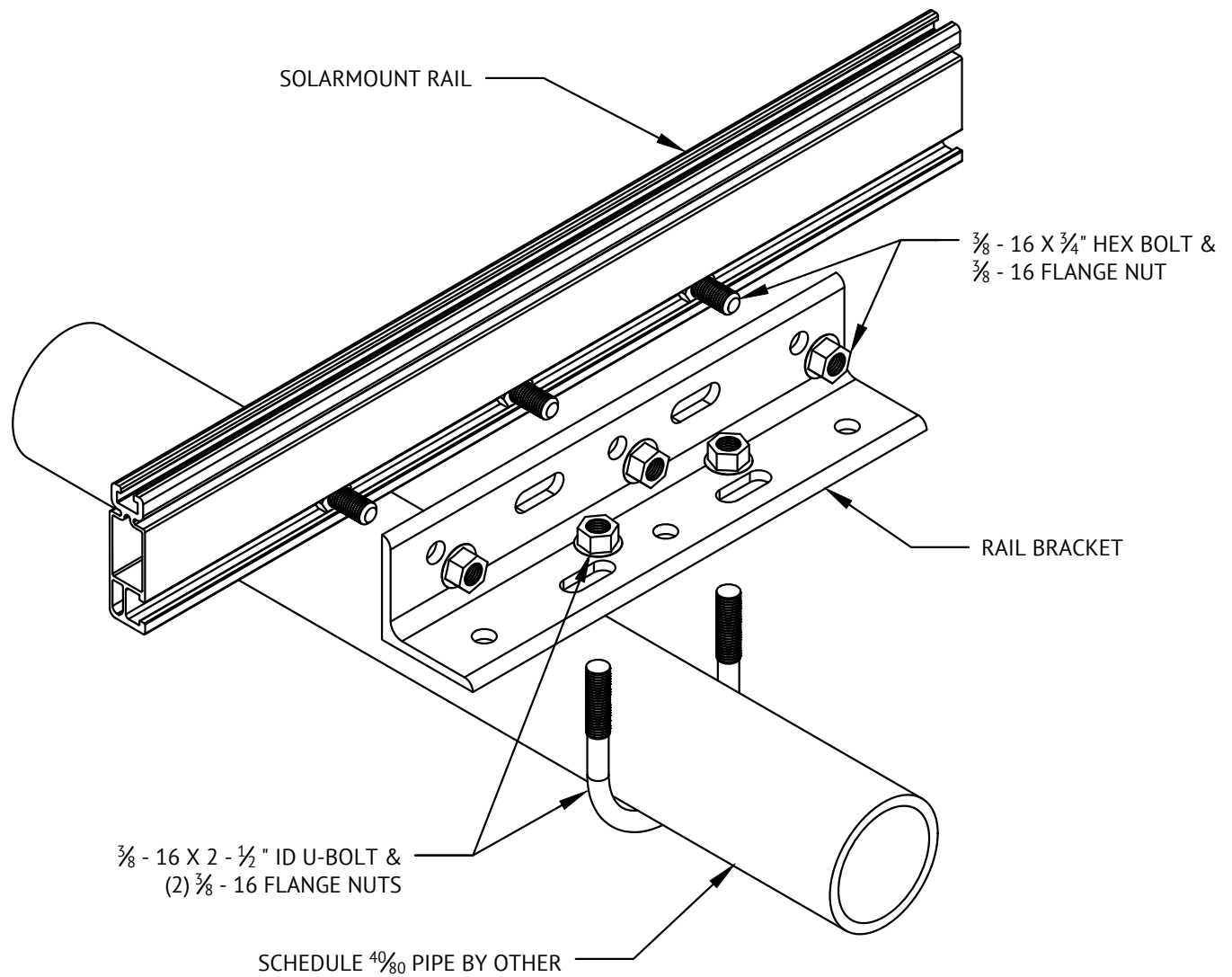
DRAWING NOT TO SCALE
ALL DIMENSIONS ARE NOMINAL

PRODUCT PROTECTED BY ONE
OR MORE US PATENTS

LEGAL NOTICE

ULA-A06

SHEET



1411 BROADWAY BLVD NE
ALBUQUERQUE, NM 87102 USA

WWW.UNIRAC.COM

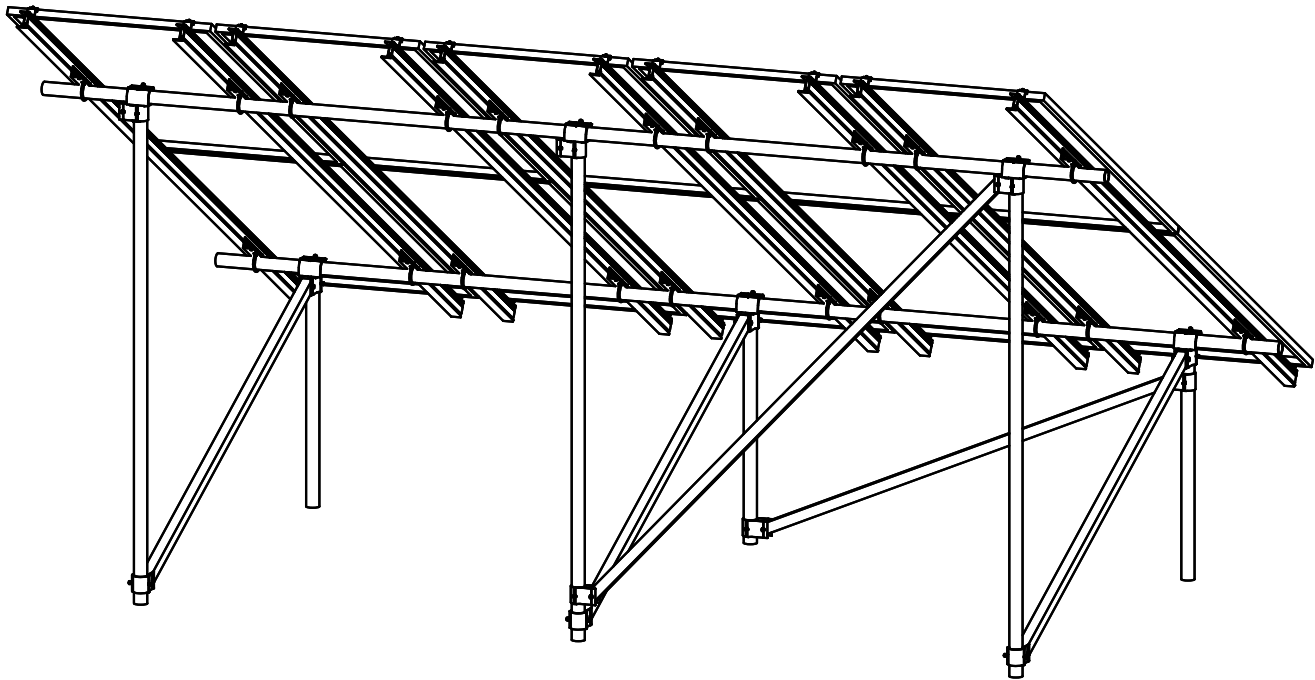
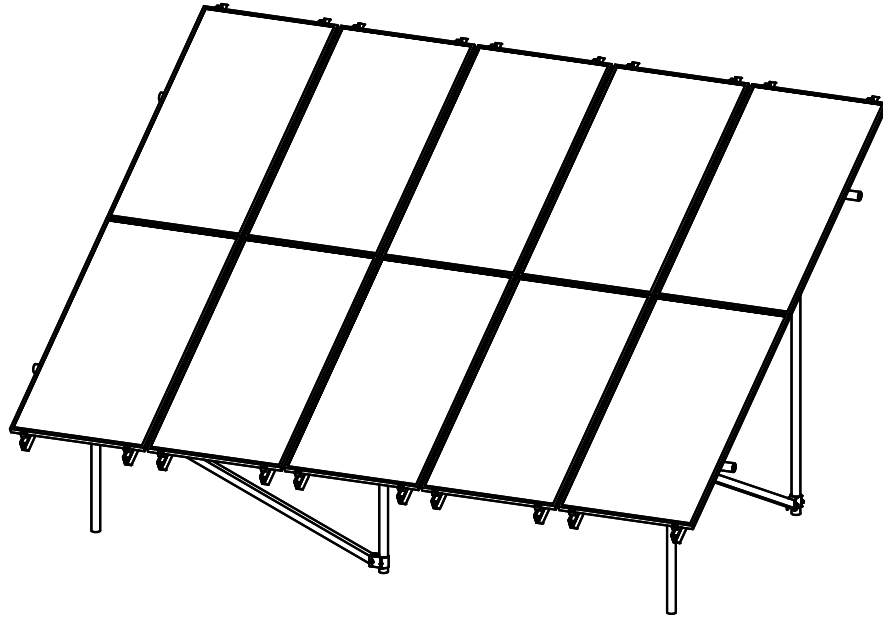
PRODUCT LINE:	ULA
DRAWING TYPE:	PART
DESCRIPTION:	UNIVERSAL RAIL BRACKET
REVISION DATE:	APRIL 2016

DRAWING NOT TO SCALE
ALL DIMENSIONS ARE NOMINAL

PRODUCT PROTECTED BY ONE
OR MORE US PATENTS

LEGAL NOTICE

ULA-A07
SHEET



1411 BROADWAY BLVD NE
ALBUQUERQUE, NM 87102 USA

WWW.UNIRAC.COM

PRODUCT LINE:	ULA
DRAWING TYPE:	ASSEMBLY
DESCRIPTION:	PORTRAIT ORIENTATION
REVISION DATE:	APRIL 2016

DRAWING NOT TO SCALE
ALL DIMENSIONS ARE NOMINAL

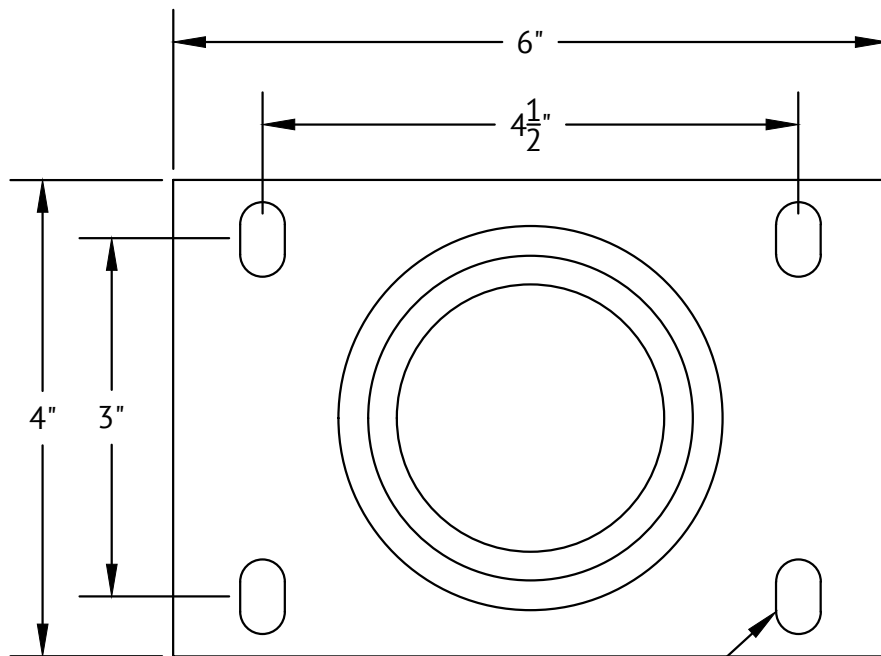
PRODUCT PROTECTED BY ONE
OR MORE US PATENTS

LEGAL NOTICE

ULA-A08
SHEET

2 3/8 INCH DIAMETER PIPE THREAD
(11.5 THREADS PER INCH)

3/16"



3/8 x 5/8 SLOT



1411 BROADWAY BLVD NE
ALBUQUERQUE, NM 87102 USA

WWW.UNIRAC.COM

PRODUCT LINE:

ULA

DRAWING TYPE:

PART

DESCRIPTION:

STEEL THREADED FOOT

REVISION DATE:

APRIL 2016

DRAWING NOT TO SCALE
ALL DIMENSIONS ARE NOMINAL

PRODUCT PROTECTED BY ONE
OR MORE US PATENTS

LEGAL NOTICE

ULA-P01

SHEET