

ROOFMOUNT



RMDT

8 DEGREE DUAL TILT

MORE

MAXIMIZE ENERGY DENSITY
UP TO 33% MORE MODULES ON THE ROOF

8 DEGREE DUAL TILT

SINGLE TOOL ASSEMBLY

INTEGRATED BONDING

SEAMLESS WIRE MANAGEMENT

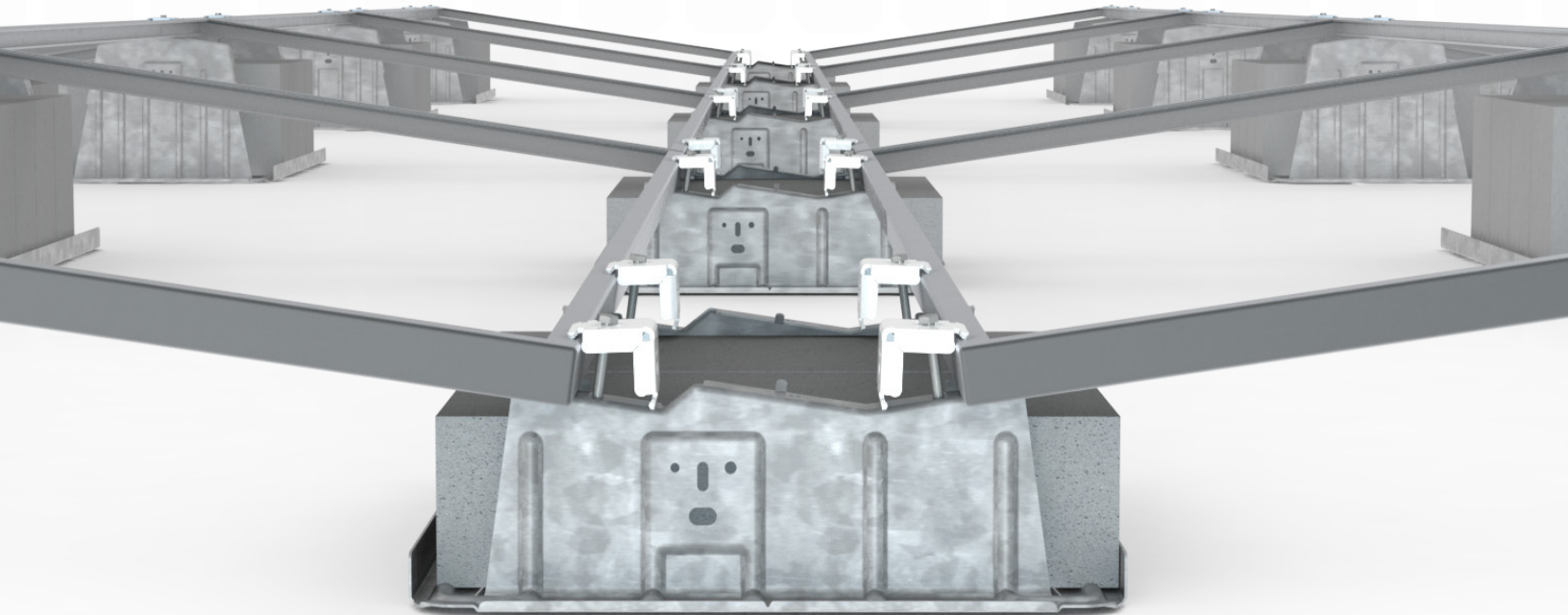
ENHANCED U-BUILDER DESIGN / LAYOUT TOOL

SEAMLESS HELIOSCOPE INTEGRATION

CUSTOMIZED QUOTATION ASSISTANCE

3RD PARTY ENGINEERING DOCUMENTATION

INDUSTRY BEST LEAD TIMES



MAXIMIZE PROFITABILITY AT EVERY STEP

ROOFMOUNT



MAXIMIZE ENERGY DENSITY UP TO 33% MORE MODULES ON THE ROOF

8 Degree Dual Tilt

G235 steel, double the corrosion protection of other racking products

Place panel, then clamp for single person module installation

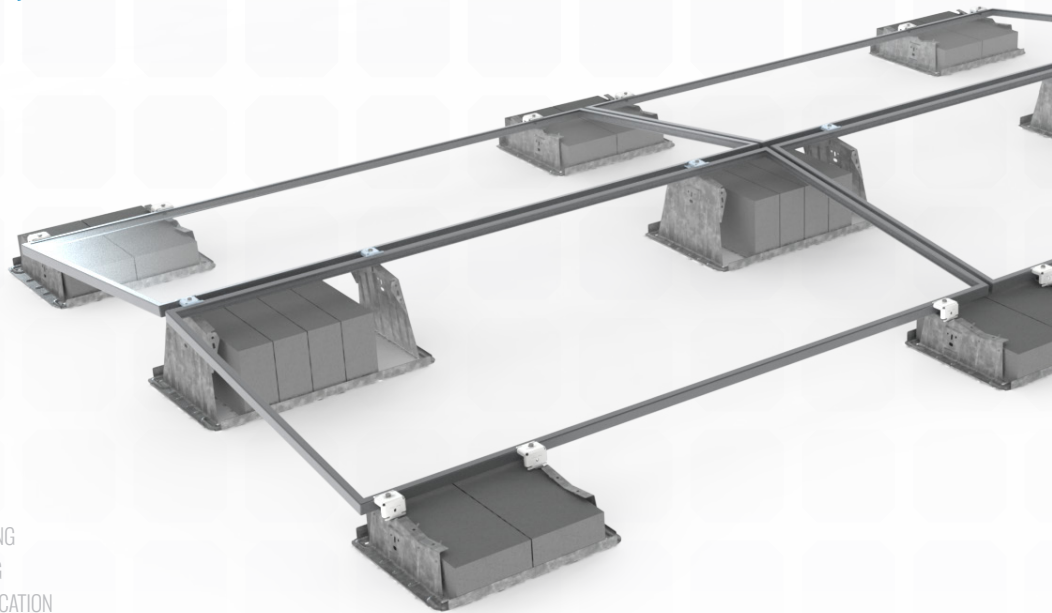
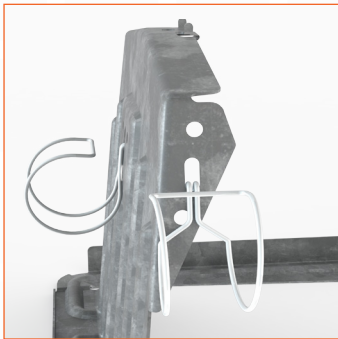
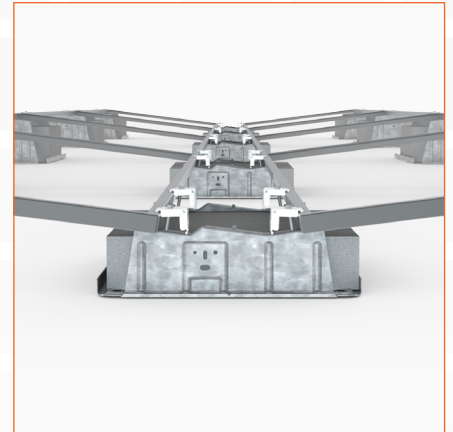
Integrated bonding with single tool, hassle-free installation

Simplified wiring with Unirac's RM wire management clips

MLPE mount for microinverters and power optimizers

Elimination of wind deflectors and fire skirts streamlines system installation

Ship up to 1 MW per truck with compact packaging



LISTED UL2703 BONDING & GROUNDING
MECHANICAL LOADING
SYSTEM FIRE CLASSIFICATION

ACCELERATE YOUR PROJECT AT EVERY STEP FOR MAXIMUM PROFITABILITY

WORLD CLASS U-BUILDER FOR QUICK & EFFICIENT DESIGN / LAYOUT WITHIN MINUTES

Seamless HelioScope Integration • Google Maps Platform • Row by Row Design with Ballast Distribution Maps • Site Specific Engineering Report • Multiple Arrays per Design • CAD File Downloads

COMPREHENSIVE DESIGN & ENGINEERING SUPPORT

A Team of Technical Experts & Professional Engineers Customize Projects while Tailoring Designs to Maximize Energy Output with Lowest Possible System Cost

GUARANTEED PERMIT APPROVAL

UL2703 Certification Documents • Stamped 3rd Party PE Letters • Construction Drawings • AHJ Outreach Program

BEST LOGISTICS NETWORK - FASTEST DELIVERY IN THE COMMERCIAL PV RACKING INDUSTRY

Two-Week Lead Times From Our Factory And Immediate Deployment Through Our Nationwide Distribution Network.

PRODUCT TRAINING WITH PROJECT MANAGEMENT SERVICES TO MINIMIZE INSTALLATION LEARNING CURVE

Installation Guides & Videos • Live Demos • Train the Trainer Program • Change Order Management • Project Close-Out Assistance

UNIRAC CUSTOMER SERVICE MEANS THE HIGHEST LEVEL OF PRODUCT SUPPORT IN THE RACKING INDUSTRY